

**LASOS<sup>®</sup>** **DPSS laser series**

Directly frequency-doubled solid state laser  
10 mW output at 320 nm



**DLK 2010 TS**

- Single frequency
- Outstanding long term stability
- Excellent beam quality
- Reliable and robust
- Maintenance free
- Compact design
- Suitable for OEM applications
- Customization on request



## Directly frequency-doubled solid state laser

### DLK 2010 TS Specifications:

#### LASOS® DPSS laser series

The LASOS® DPSS laser series provide excellent beam quality in a variety of wavelengths based on the latest progress in solid state laser technology.

The recently introduced DLK 2010 TS offers a reliable and compact single frequency laser source in the UV.

The LASOS® DPSS laser series provide the ideal products for applications in:

- Spectroscopy
- Interferometry
- Confocal and fluorescence microscopy
- Bioanalytical research
- Particle measurements
- Metrology
- Industrial measurements
- Medical
- Science and education

Customized solutions for specific applications are possible

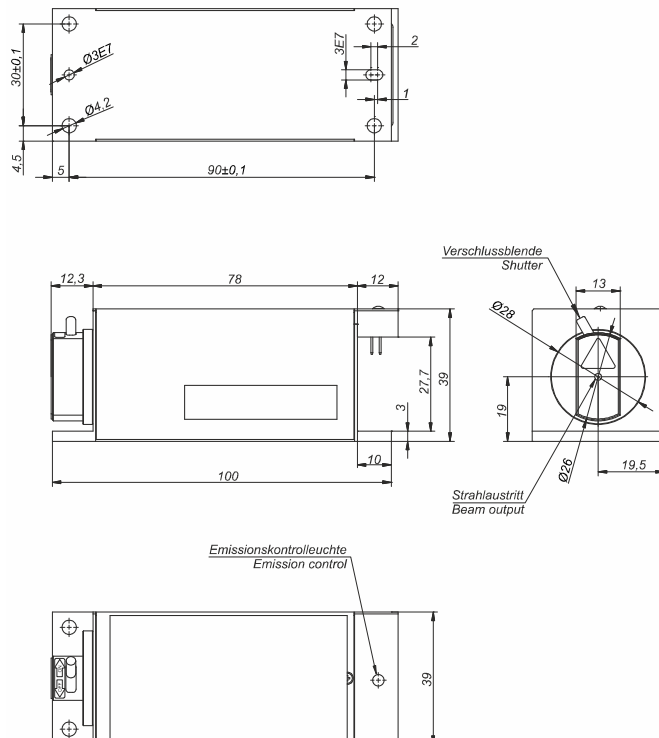
Wavelength	319.8 nm ± 0.3 nm
Wavelength stability (8 h)	±0.002 nm
Spectral Linewidth <sup>1</sup>	< 1 MHz
Output power	10 mW
Output power stability within 8 h	±1.0 %
Noise 10 Hz ... 20 MHz	≤ 2.0 % rms
Warm up period	< 10 min
Transversal mode M <sup>2</sup>	≤ 1.2
Beam waist diameter (1/e <sup>2</sup> )	0.7 mm (0.32 mm on request)
Beam ellipticity	0.9 ... 1.1
Pointing stability	< 6 μrad K <sup>-1</sup>
Beam divergence	≤ 1.2 mrad
Polarisation ratio	≥ 200:1
Expected lifetime <sup>2</sup>	5000 h

<sup>1</sup>Allan Deviation for sample period < 0.5 s

<sup>2</sup>currently under evaluation

#### Options on request

#### Dimensions:



# LASOS

For worldwide photonics

LASOS Lasertechnik GmbH  
 Franz-Loewen-Str. 2  
 07745 Jena  
 Germany

Phone: +49 (0) 3641 2944 – 0  
 Fax: +49 (0) 3641 2944 – 300  
 sales@lasos.com

[www.lasos.com](http://www.lasos.com)