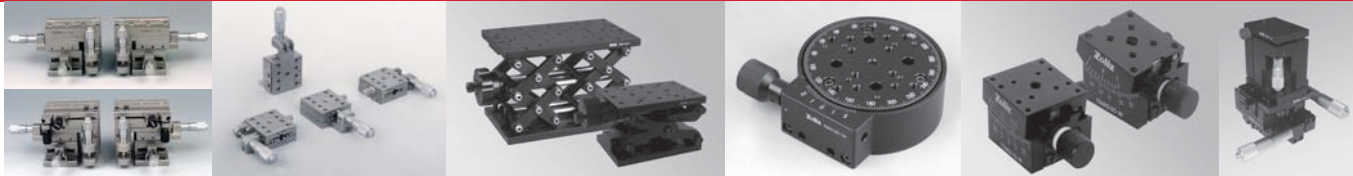


# Manual Positioners

World-Class Photonics Brand  
Service Worldwide



# Zolix

**Fiber Alignment Stages**

**Manual Linear Stages**

**Vertical Positioners**

**Rotation Stages**

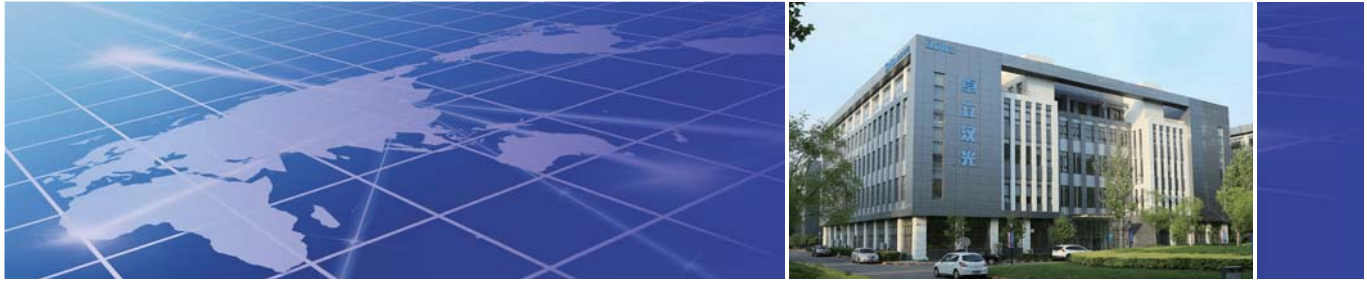
**Goniometer/Tilt Stages**

**Combination Stages**



TE LINTELO SYSTEMS BV  
*photonics is our passion!*

+31 316 340804  
[www.tlsbv.nl](http://www.tlsbv.nl) - [contact@tlsbv.nl](mailto:contact@tlsbv.nl)



## World-Class Photonics Brand, Service Worldwide

Zolix was established since 1999 and has been a leading global supplier of opto-mechanics and spectroscopy in China. Have strong R&D ,Production,Sales,and after service team with many years experience of industry knowledge and expertise across a broad range of technologies. Our products has been exported to worldwide:Europe,USA,India,Southeast and more than 50 countries;

### Products:

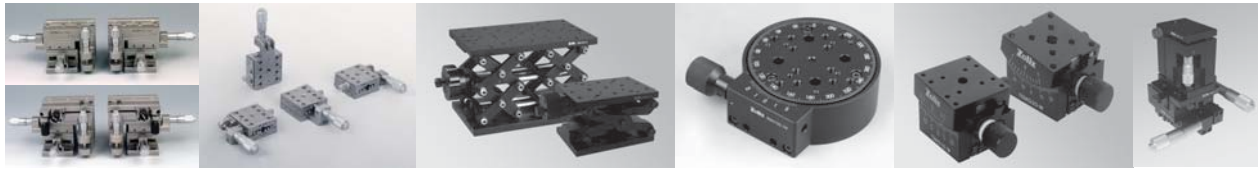
- Spectroscopy
- Monochromators and Accessories
- Solar Cell System
- Light Source
- Measurement System
- Motorized Stage
- Manual Stage
- Optical Mirror Mounts
- Optical Table
- Optic

In Addition, Zolix has built a strong history of partnering with OEM customers delivering solutions from sub assemblies to full solutions including design, testing and manufacturing.

**Welcome to agents and distributors !**

## Certification





## **Fiber Alignment Stages 2**

- 2 NFP Series High Precision Fiber Optic Alignment Stages
- 5 APFP Series Standard Precision Fiber Optic Alignment Stages
- 8 AP Series Fiber Alignment Accessories

## **Manual Linear Stages 10**

- 11 NFP Series Crossed-Roller Bearing Linear Stages
- 17 KSM Series Crossed-Roller Bearing Linear Stages
- 31 PSM Series Ball Bearing Linear Stages
- 46 TSM Series Ball Bearing Linear Stages
- 48 TSMXXD Series Dovetail Bearing Linear Stages

## **Integrated Stage 49**

- 50 TSMW Series Bearing Linear Stages
- 53 ATSM Integrated Linear Stages

## **Vertical Positioners 56**

- 57 KSMV Series High Precision Crossed-Roller Vertical Stages
- 58 PSMV Series High Precision Ball Bearing Vertical Stages
- 59 TSMV Series Precision Ball Bearing Vertical Stages
- 60 TSMV60-1S High Load Lab Jack Vertical Stages

## **Rotation Stages 61**

- 61 KSMR Series High Performance Rotation Stages
- 62 PSMR Series Precision Rotation Stages
- 63 RSM Series Standard Performance Rotation Stages

## **Goniometer Stages 65**

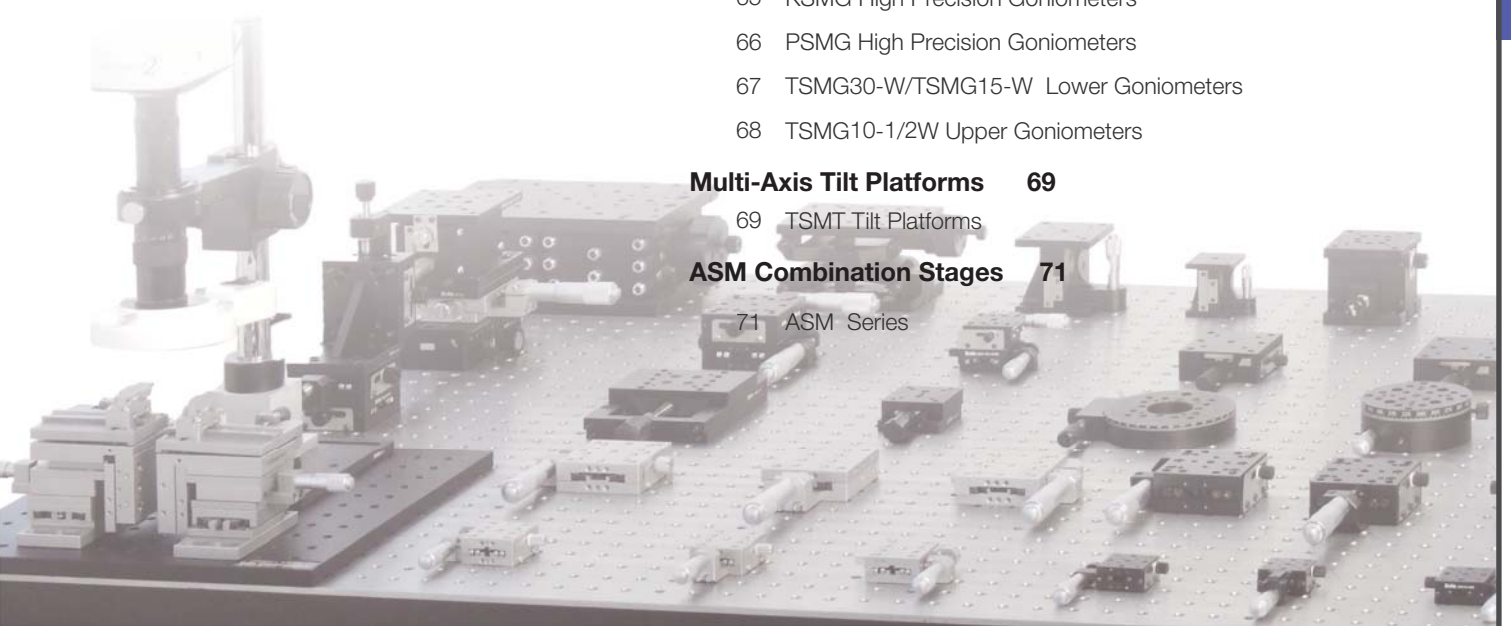
- 65 KSMG High Precision Goniometers
- 66 PSMG High Precision Goniometers
- 67 TSMG30-W/TSMG15-W Lower Goniometers
- 68 TSMG10-1/2W Upper Goniometers

## **Multi-Axis Tilt Platforms 69**

- 69 TSMT Tilt Platforms

## **ASM Combination Stages 71**

- 71 ASM Series



## Fiber Alignment Stages

### Selection Guide:

Series	Axes of Travel	Bearing Type	Base Material
NFP-GON10	$\theta_x$	Rotation Mechanism	304 Stainless Steel
NFP-2561(L)	$\theta_y, \theta_z$	Rotation Mechanism	304 Stainless Steel
NFP-3561(L)	X, Y, Z	Crossed-Roller	304 Stainless Steel
NFP-5561(L)	X, Y, Z, $\theta_y, \theta_z$	Crossed-Roller	304 Stainless Steel
NFP-6561(L)	X, Y, Z, $\theta_x, \theta_y, \theta_z$	Crossed-Roller	304 Stainless Steel
APFP- $\theta_x$	$\theta_x$	Rotation Mechanism	430 Stainless Steel
APFP-T(L)	$\theta_y, \theta_z$	Rotation Mechanism	430 Stainless Steel
APFP-YZ	Y, Z	Crossed-Roller	430 Stainless Steel
APFP-XYZ(L)	X, Y, Z	Crossed-Roller	430 Stainless Steel
APFP-XYZT(L)	X, Y, Z, $\theta_y, \theta_z$	Crossed-Roller	430 Stainless Steel
APFP-XYZT $\theta$ (L)	X, Y, Z, $\theta_x, \theta_y, \theta_z$	Crossed-Roller	430 Stainless Steel
FP-XYZT(L)	X, Y, Z, $\theta_y, \theta_z$	Linear Bearing	430 Stainless Steel&Al Alloy

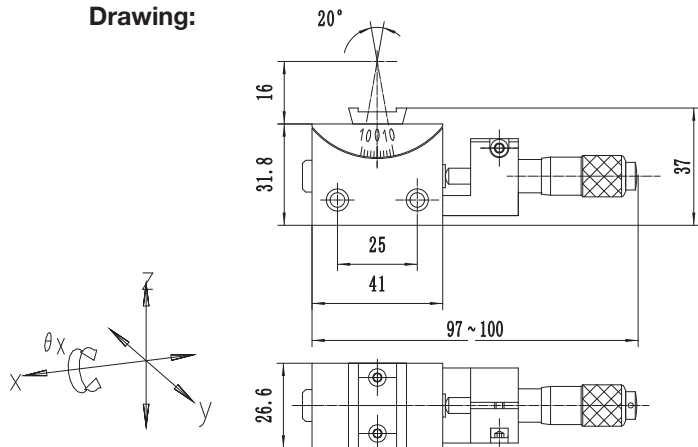
## NFP Series High Precision Fiber Optic Alignment Stages



### NFP-GON10 High Precision Goniometer Stage



Drawing:



#### Specification:

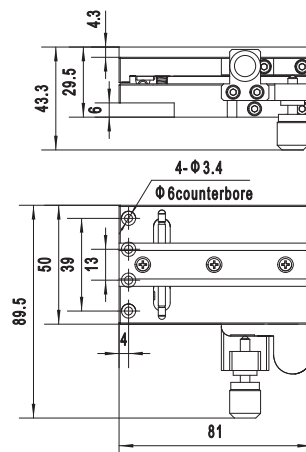
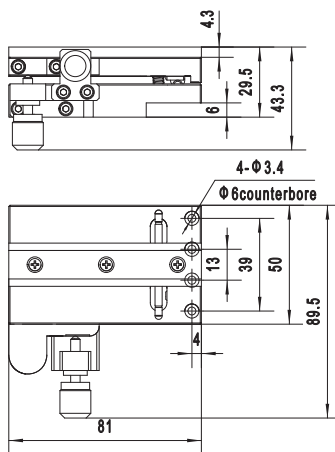
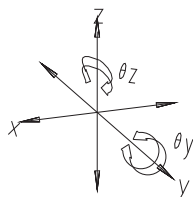
- Rotation Angle: $\theta_x$ :  $\pm 10^\circ$
- Sensitivity: 6"

## NFP-2561T(L) High Precision Tilt Stage



Drawing: NFP-2561TL

NFP-2561T



**Specification:**

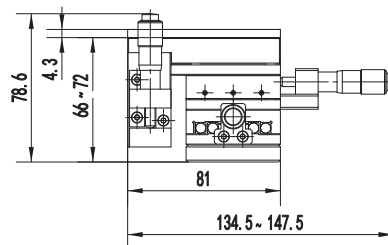
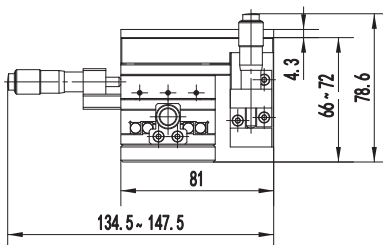
- $\theta_y$ :  $-2^\circ \sim 4^\circ$
- $\theta_z$ :  $-4^\circ \sim 4^\circ$

## NFP-3561(L) High Precision Fiber Alignment Stage



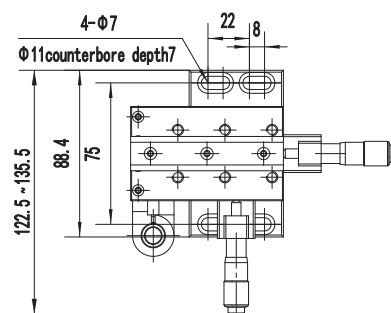
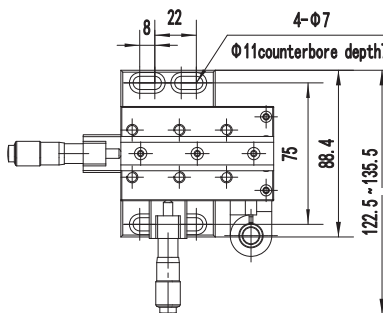
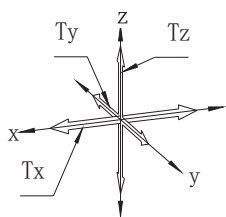
Drawing: NFP-3561L

NFP-3561

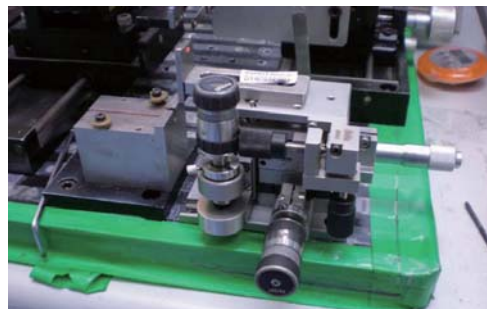
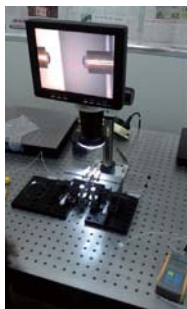


**Specification:**

- Tx: 13mm Ty: 13mm Tz: 6mm
- Sensitivity:  $< 1\mu\text{m}$
- Straightness of X,Y,Z:  $< 3\mu\text{m}$



**Application:**



## NFP-5561(L) High Precision Fiber Alignment Stage

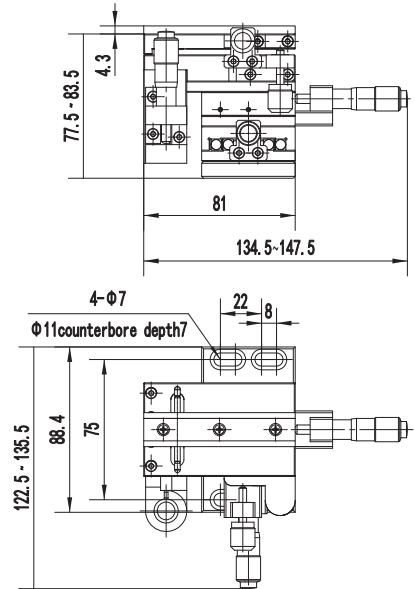
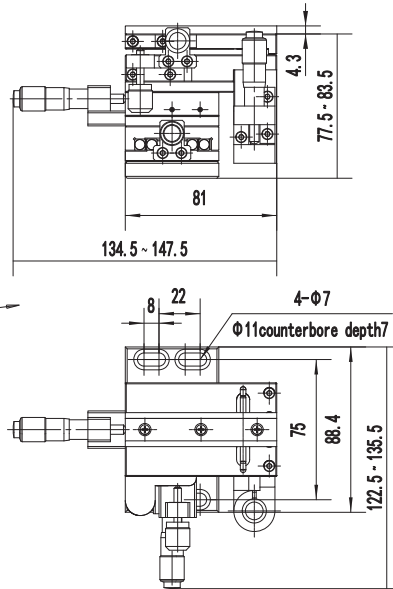
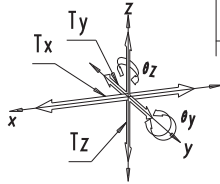


Drawing: NFP-5561L ▼

NFP-5561 ▼

**Specification:**

- Tx: 13mm
- Ty: 13mm
- Tz: 6mm
- $\theta_y$ :  $-2^\circ \sim 4^\circ$
- $\theta_z$ :  $-4^\circ \sim 4^\circ$
- Sensitivity:  $< 1\mu\text{m}$
- Straightness of X,Y,Z axis:  $< 3\mu\text{m}$



## NFP-6561(L) High Precision Fiber Alignment Stage

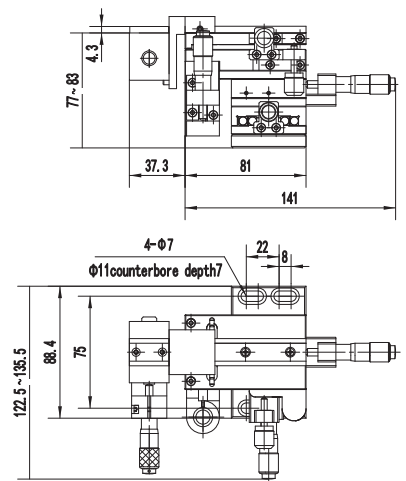
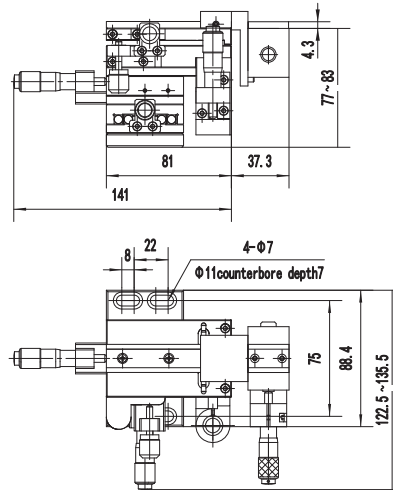
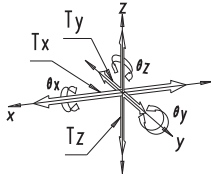


Drawing: NFP-6561L ▼

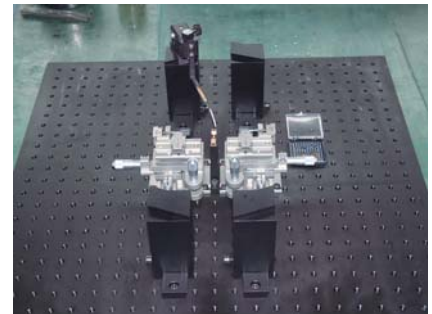
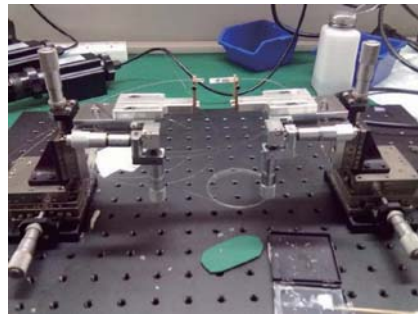
NFP-6561 ▼

**Specification:**

- Tx: 13mm
- Ty: 13mm
- Tz: 6mm
- $\theta_x$ :  $-10^\circ \sim 10^\circ$
- $\theta_y$ :  $-2^\circ \sim 4^\circ$
- $\theta_z$ :  $-4^\circ \sim 4^\circ$
- Sensitivity:  $< 1\mu\text{m}$
- Straightness of X,Y,Z axis:  $< 3\mu\text{m}$



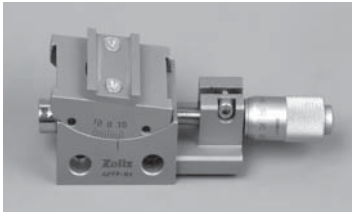
**Application:**



## APFP Series Standard Precision Fiber Optic Alignment Stages



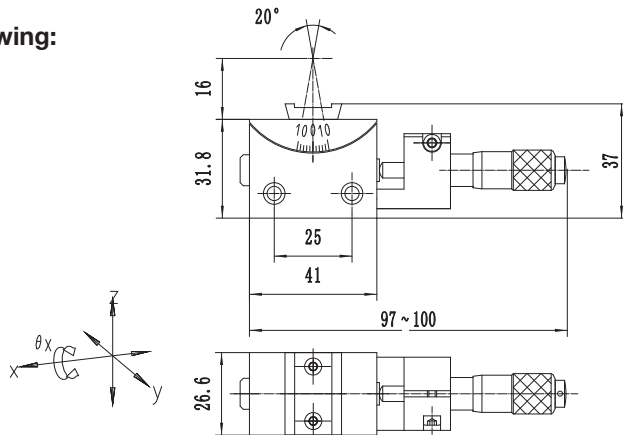
### APFP- $\theta_x$ Precision Fiber Alignment Stage, $\theta_x \pm 3^\circ$ Micrometer



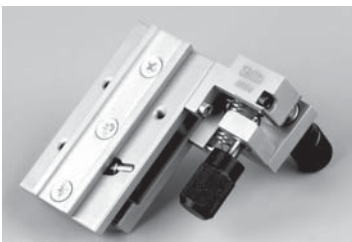
**Specification:**

- $\theta_x: \pm 7^\circ$

**Drawing:**



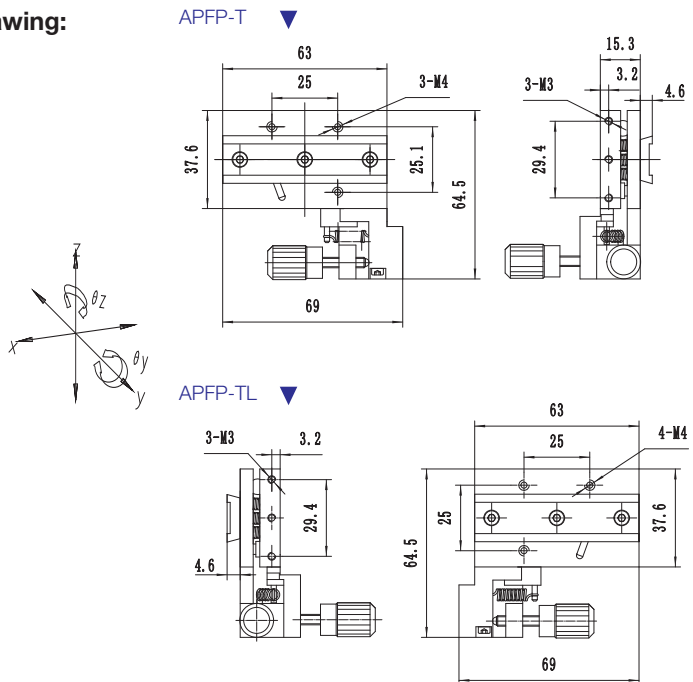
### APFP-T(L) Precision Fiber Alignment Stage, $\theta_y, \theta_z: \pm 3^\circ$ Screws



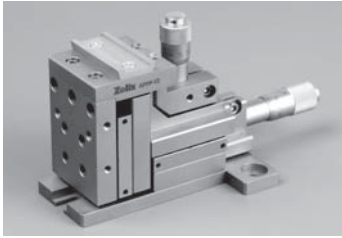
**Specification:**

- $\theta_y: \pm 3^\circ$
- $\theta_z: \pm 3^\circ$

**Drawing:**



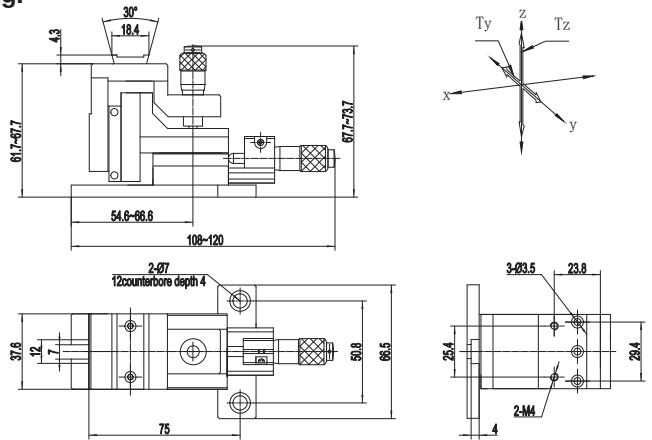
## APFP-YZ Precision Fiber Alignment Stage



### Specification:

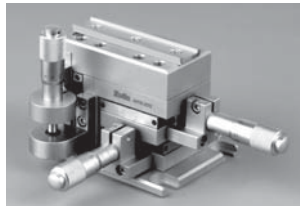
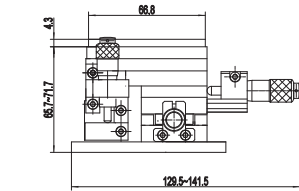
- Ty: 12mm Tz: 6mm
- Sensitivity: <math>< 2\mu\text{m}</math>

### Drawing:



## APFP-XYZ Precision Fiber Alignment Stage, 13mm XY, 6mm Z Micrometers

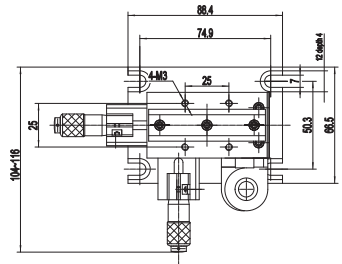
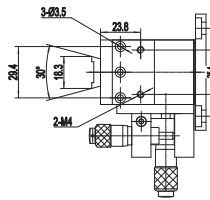
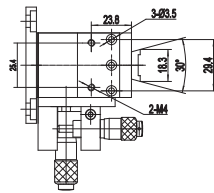
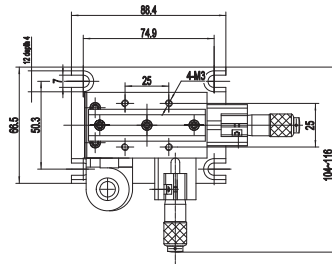
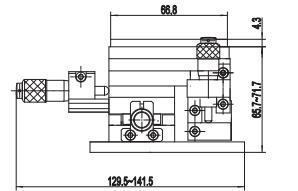
### APFP-XYZ ▼



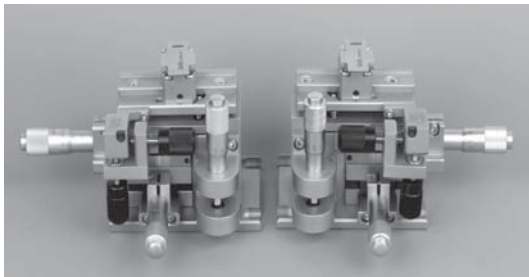
### Specification:

- Tx: 12mm
- Ty: 12mm
- Tz: 6mm
- Sensitivity: <math>< 2\mu\text{m}</math>

### APFP-XYZL ▼

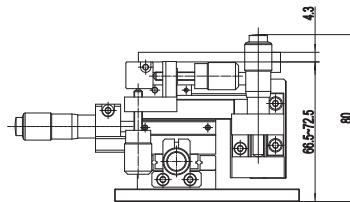


## APFP-XYZT(L) Precision Fiber Alignment Stage

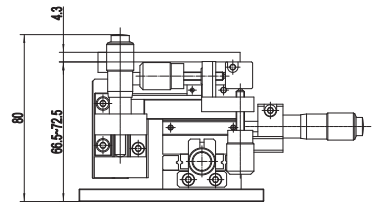


### Drawing:

#### APFP-XYZTL ▼

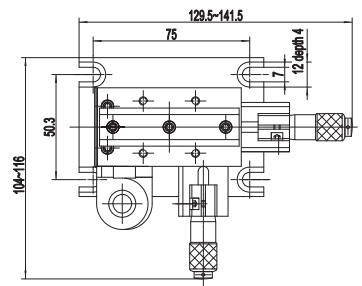
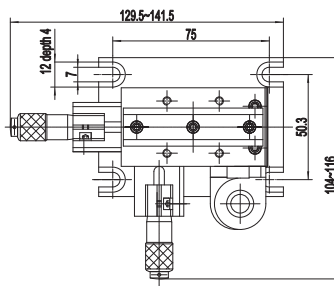


#### APFP-XYZT ▼



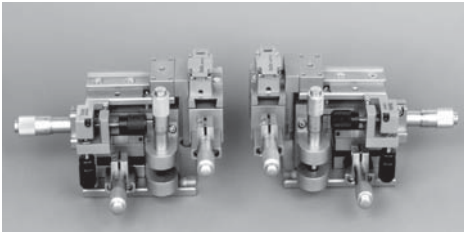
### Specification:

- $\theta_y: \pm 3^\circ$   $\theta_z: \pm 3^\circ$
- Tx: 12mm
- Ty: 12mm
- Tz: 6mm
- Sensitivity: <math>< 2\mu\text{m}</math>





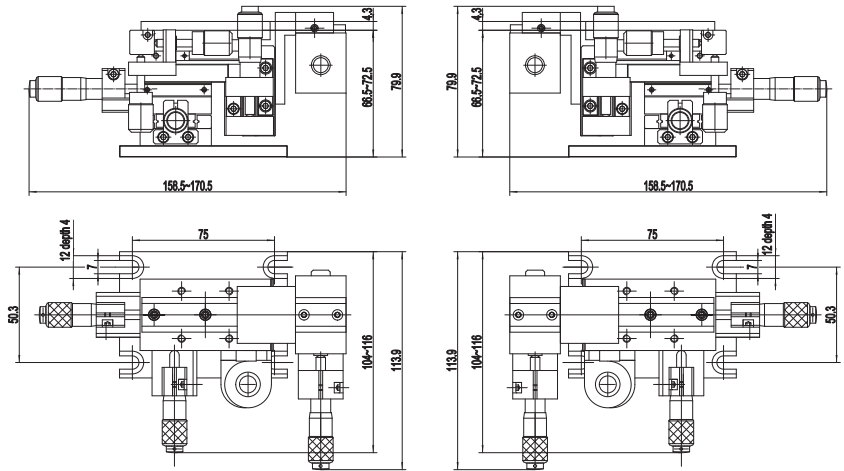
## APFP-XYZT $\theta$ (L) Precision Fiber Alignment Stage



**Drawing:**

APFP-XYZT $\theta$ L ▼

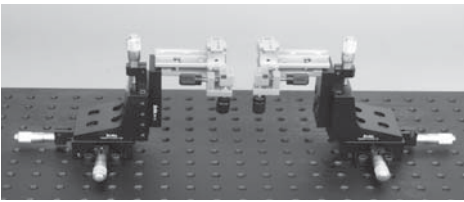
APFP-XYZT $\theta$  ▼



**Specification:**

- $\theta_x: \pm 7^\circ$   $\theta_y: \pm 3^\circ$   $\theta_z: \pm 3^\circ$
- Tx: 12mm; Ty: 12mm; Tz: 6mm

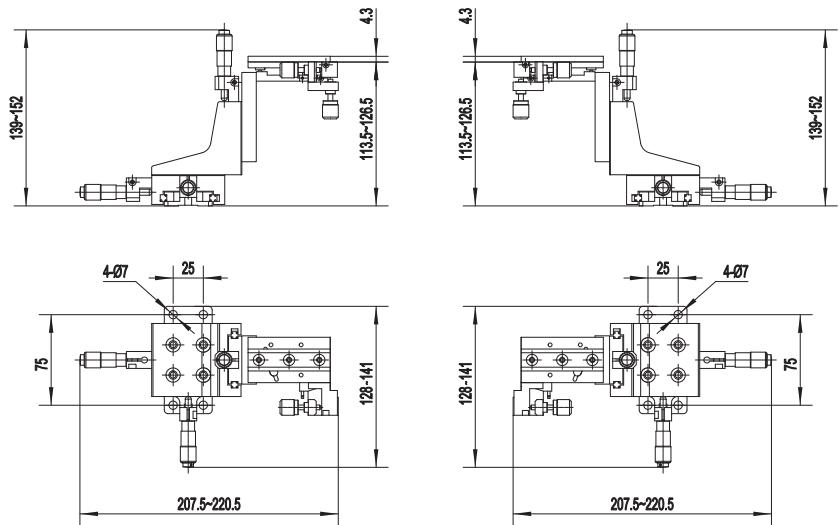
## FP-XYZT Precision Fiber Alignment Stage



**Drawing:**

FP-XYZTL ▼

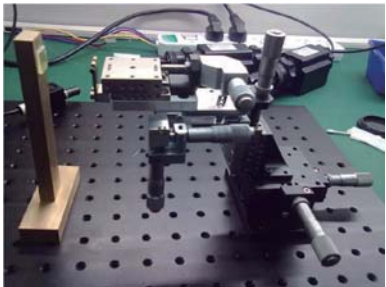
FP-XYZT ▼



**Specification:**

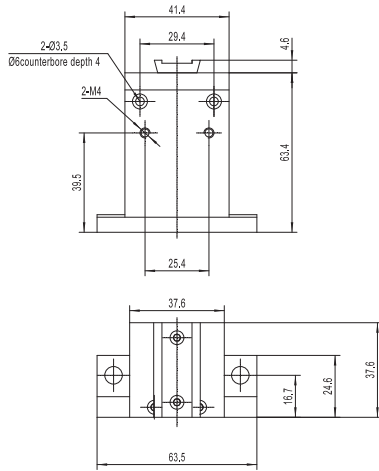
- Tx: 13mm
- Ty: 13mm
- Tz: 13mm
- $\theta_y: \pm 3^\circ$
- $\theta_z: \pm 3^\circ$

**Application:**

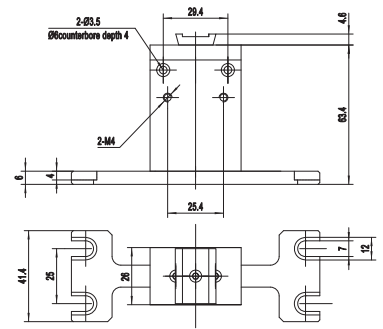
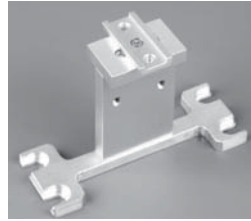


# AP Series Fiber Alignment Accessories

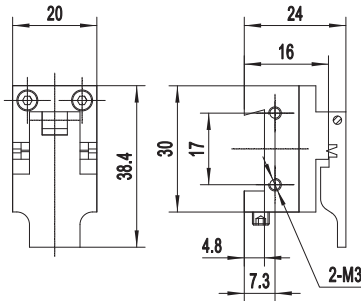
**APFP-US Fixed Platform, Universal Stand**



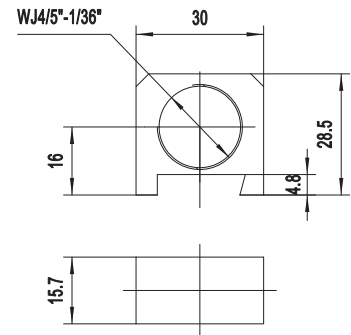
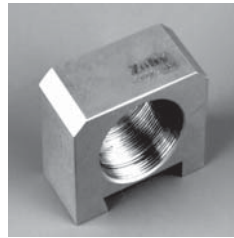
**APFP-TS Fixed Platform, Narrow Profile T-Stand**



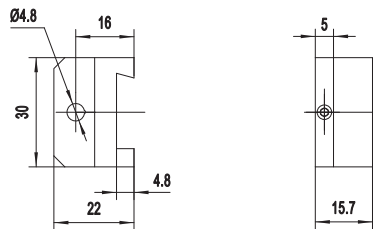
**APFP-FH Bare Fiber Holder for 125µm Fiber**



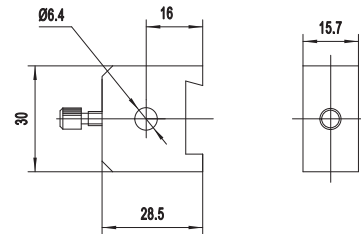
**APFP-OM Objective Lens Mount**



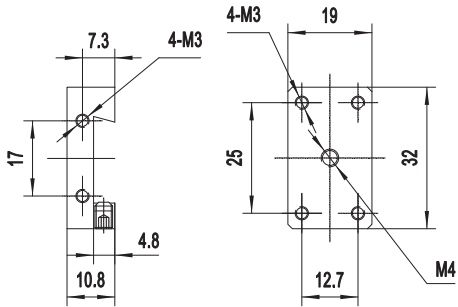
**APFP-GH GRIN Lens Mount (Fiber Diameter < 4.8mm)**



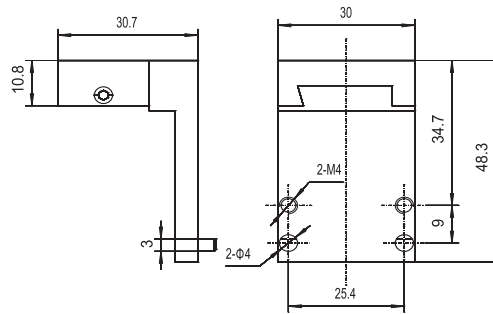
**APFP-FC Fiber Chuck Holder (Fiber Diameter is 6.35mm)**



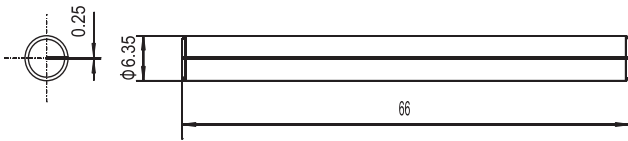
**APFP-UM Universal Module**



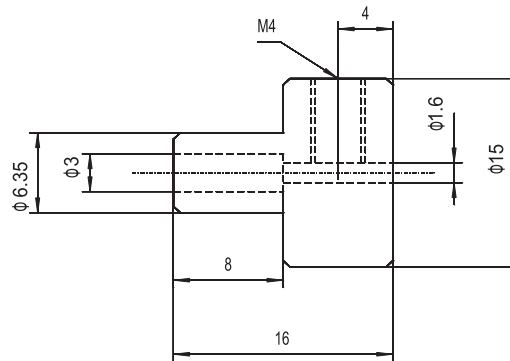
**APFP-GB Right Angle Module**



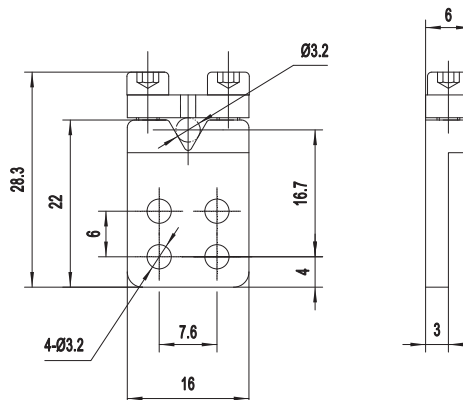
**APFCH-1 Fiber Chuck ,0.08-0.2mm Diameter**



**APFCH-2 Fiber Chuck,0.2-1.5mm Diameter**



**APFCH-3 Fiber Chuck, Multiple Diameter**



## Manual Linear Stages

### Selection Guide:

Series	Table Size(mm)	Travel(mm)	Bearing Type	Sensitivity( $\mu\text{m}$ )	Base Material	Drive Type	
NFP-x461	40x40	13	Crossed-Roller	<1	304 Stainless Steel	Micrometer	
NFP-x462	65x65	25		<1			
(A)KSM13-40	40x40	13		Crossed-Roller Bearing	<2	Al Alloy	Screw/Micrometer
(A)KSM25-65	65x65	25					
KSMW12(A)-40	40x40	13					
KSMW25(A)-65	65x65	25					
(A)PSM13-34	34x34	13	Ball Bearing		<3		
(A)PSM25-45	45x45	25					
(A)PSM25-65	65x65	25					
TSM13	34x34	13	Ball Bearing	3	Al Alloy	Screw	
TSM25	65x65	25	Ball Bearing	3		Screw	
TSMxxD		13/25/50/75/125	Dovetail			Pinion&Rack/Screw	

## NFP Series Crossed-Roller Bearing Linear Stages

### NFP-1461 Crossed-Roller Bearing Linear Stage ,13mm Travel,Sensitivity < 1μm

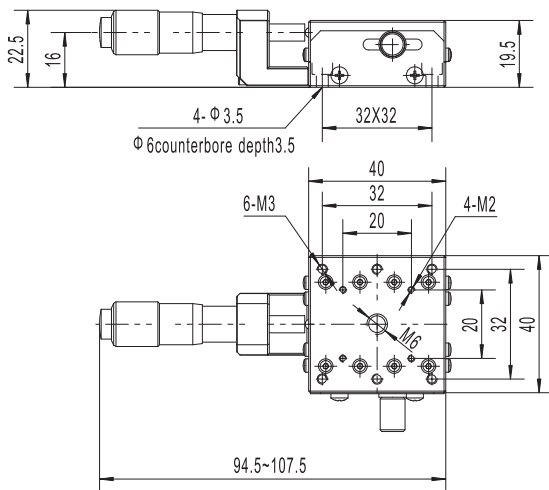


#### Model Sheet:

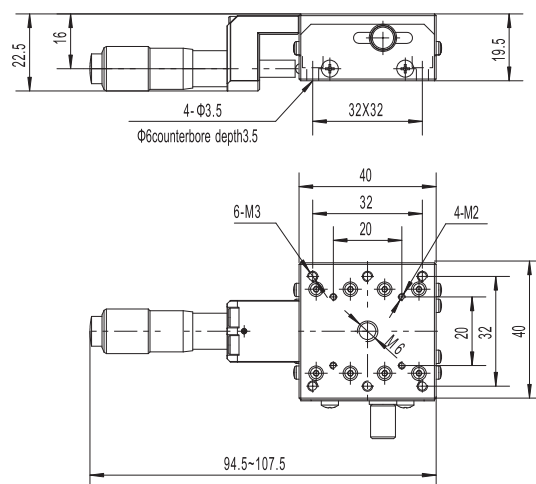
Model	NFP-1461C	NFP-1461CZ	NFP-1461SR	NFP-1461SL
Travel (mm)	13			
Sensitivity (mm)	<0.001			
Table Size (mm)	40x40			
Bearings	Crossed-Roller Bearing			
Straightness (μm)	<3			
Drive Position	Center	Used in vertical	Right	Left
Load Capacity(Kg)	5	1.5	5	5

#### Drawing:

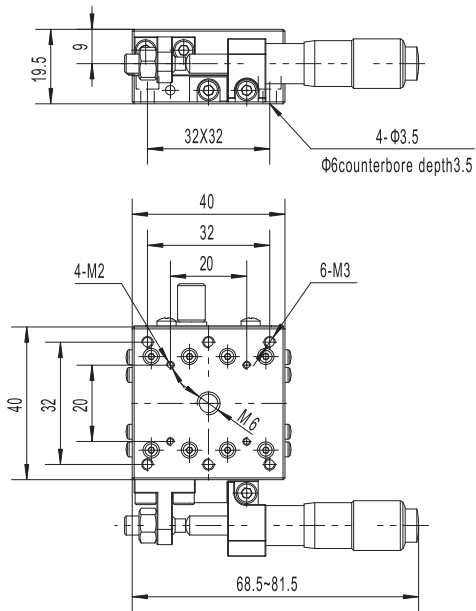
NFP-1461C ▼



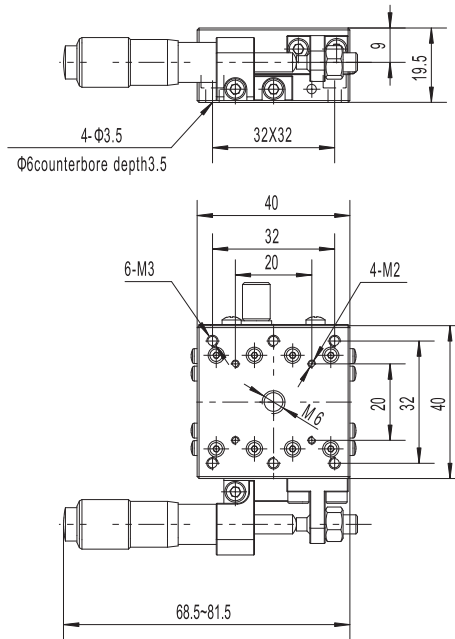
NFP-1461CZ ▼



NFP-1461SL ▼



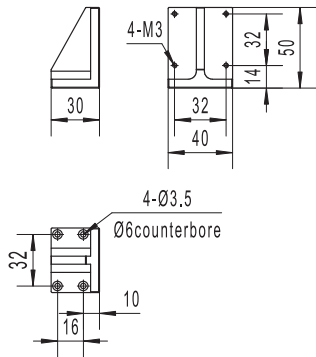
NFP-1461SR ▼



## 461 Accessories:

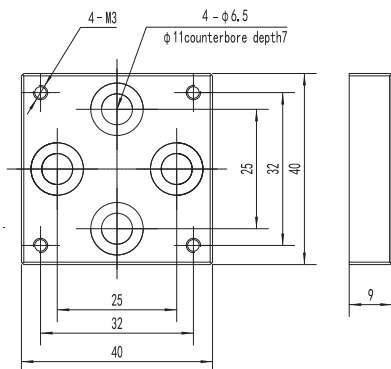
### Right Bracket with NFP-1461CZ

NFP-461-ZKit ▼

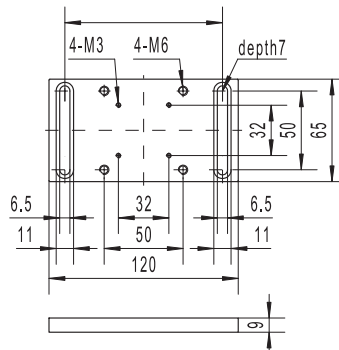


### 461 Base:

NFP-461-Base ▼



NFP-462-Base ▼

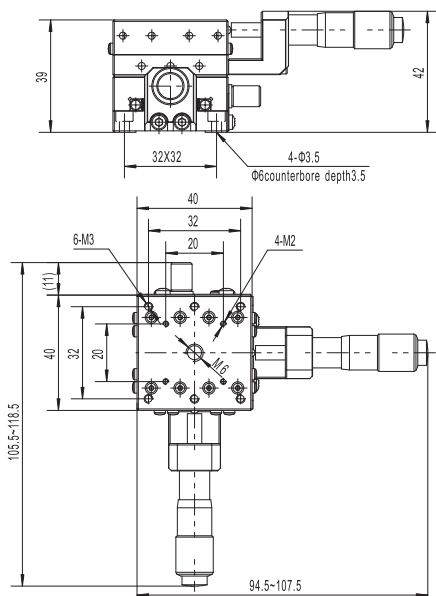


## NFP-2461 Crossed-Roller Bearing Linear Stage, 13mm Travel XY, Sensitivity < 1μm

### NFP-2461CC



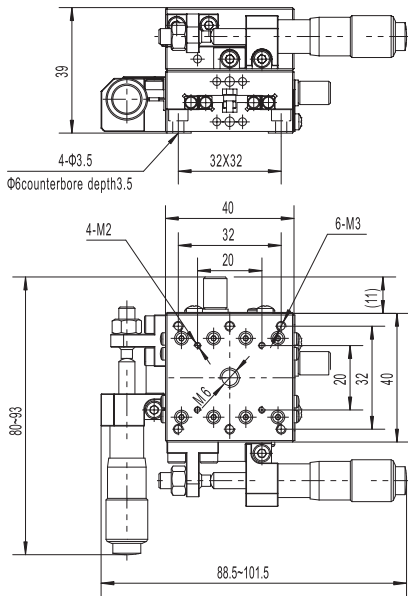
**Combination Products**  
NFP-1461C 2PCS



### NFP-2461LL



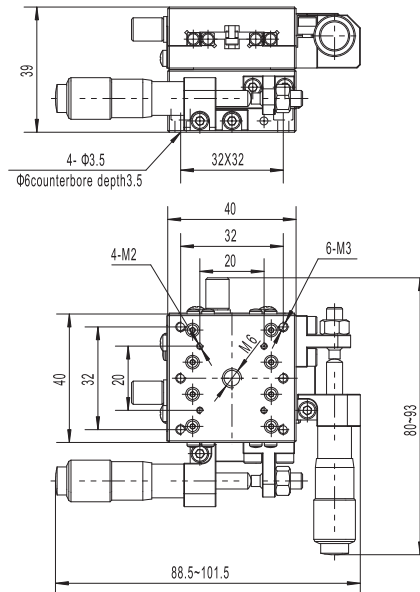
**Combination Products**  
NFP-1461SL 2PCS



### NFP-2461RR



**Combination Products**  
NFP-1461SR 2PCS

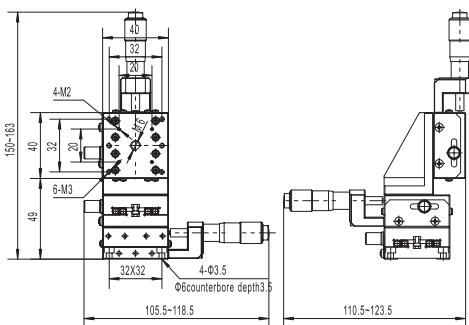


## NFP-3461 Crossed-Roller Bearing Linear Stage, 13mm Travel XYZ, Sensitivity < 1μm

### NFP-3461CCZ



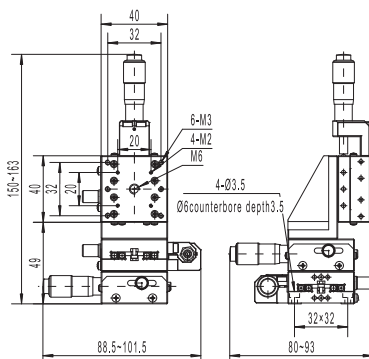
**Combination Products:**  
NFP-1461C 2PCS  
NFP-1461CZ 1PC  
NFP-461-Zkit 1PC



### NFP-3461LLZ



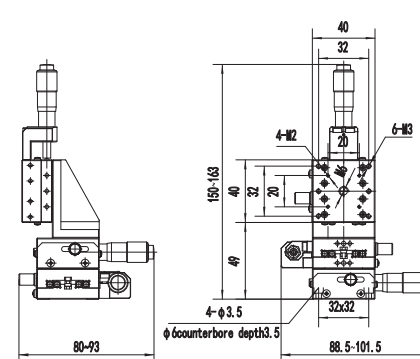
**Combination Products:**  
NFP-1461SL 2PCS  
NFP-1461CZ 1PC  
NFP-461-Zkit 1PC



### NFP-3461RRZ



**Combination Products:**  
NFP-1461SR 2PCS  
NFP-1461CZ 1PC  
NFP-461-Zkit 1PC



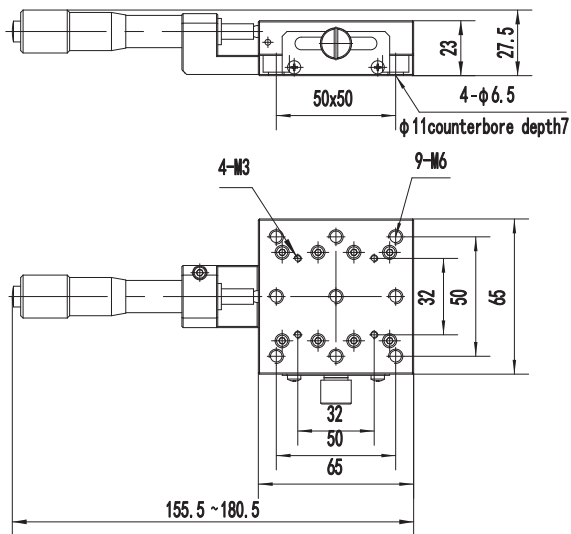
# NFP-1462 Crossed-Roller Bearing Linear Stage ,25mm Travel,Sensitivity < 1μm



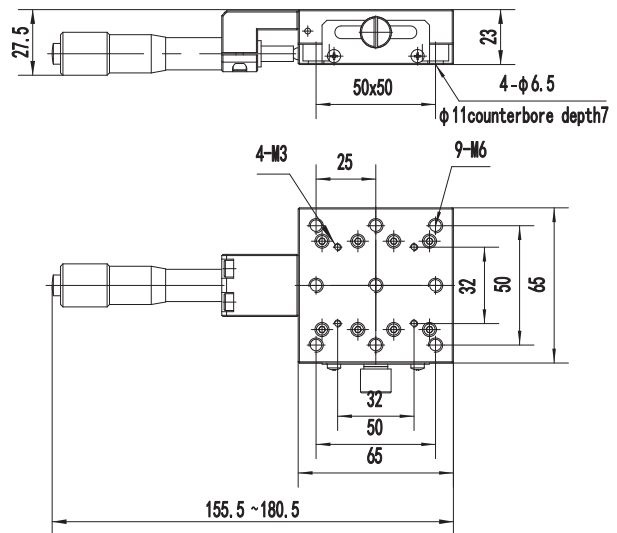
Model	NFP-1462C	NFP-1462CZ	NFP-1462SR	NFP-1462SL
Travel Range(mm)	25			
Sensitivity (mm)	0.001			
Table Size (mm)	65x65			
Bearings	Crossed-Roller Bearing			
Straightness (μm)	<3			
Drive Position	Center	Used in vertical	Right	Left
Load Capacity(Kg)	7	2.5	7	7

## Drawing:

NFP-1462C ▼

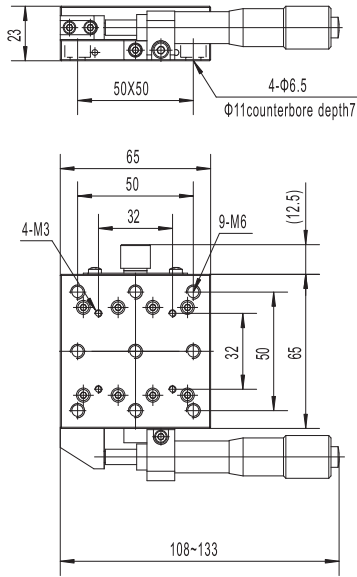


NFP-1462CZ ▼

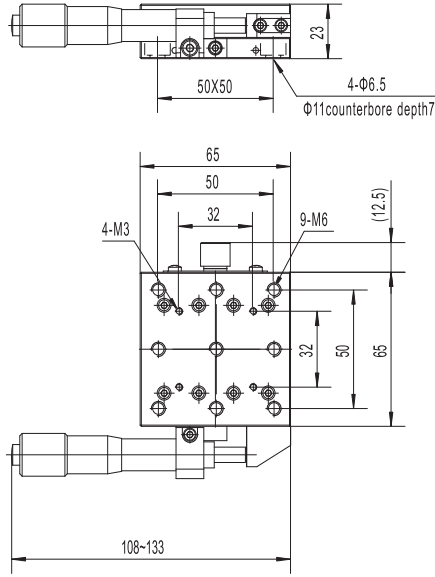




NFP-1462SL ▼



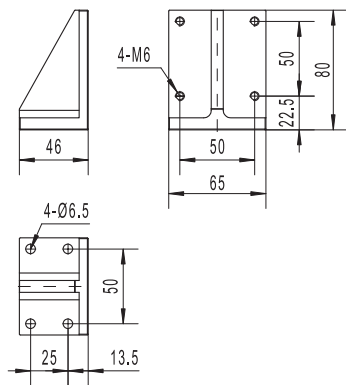
NFP-1462SR ▼



## 462 Accessories:

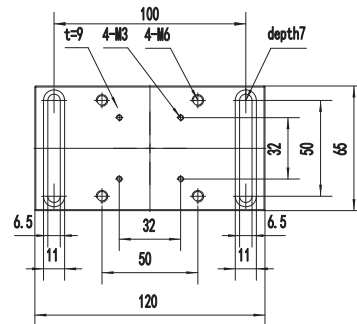
### Right Bracket with NFP-1463CZ

NFP-462-ZKit ▼



### 462 Base:

NFP-462-Base ▼

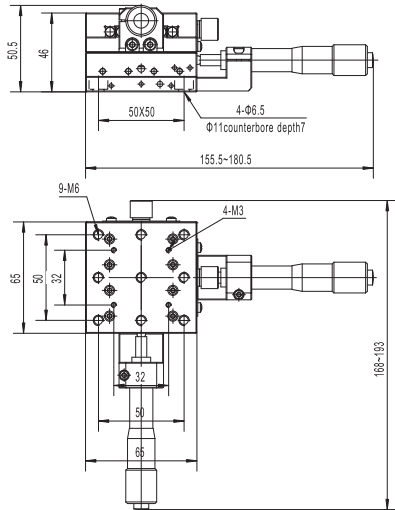


# NFP-2462 Crossed-Roller Bearing Linear Stage ,25mm Travel XY,Sensitivity <1µm

## NFP-2462CC

Combination Products:

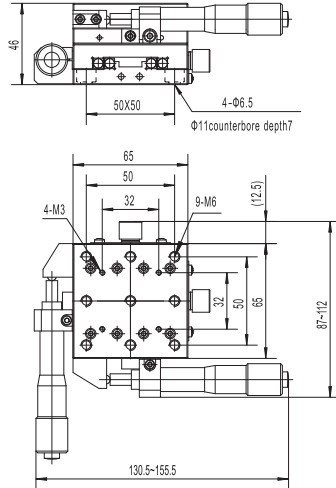
NFP-1462C 2PCS



## NFP-2462LL

Combination Products:

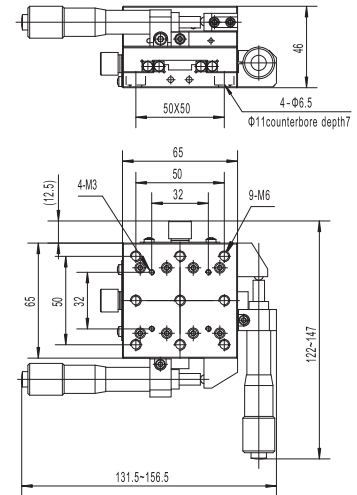
NFP-1462SL 2PCS



## NFP-2462RR

Combination Products:

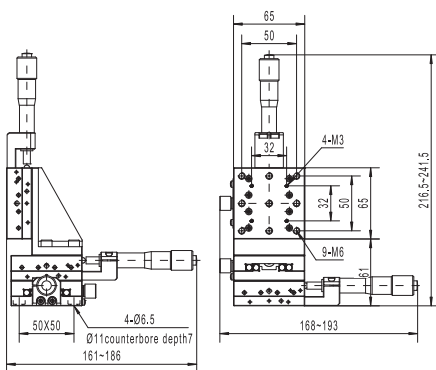
NFP-1462SR 2PCS



## NFP-3462CCZ

Combination Products:

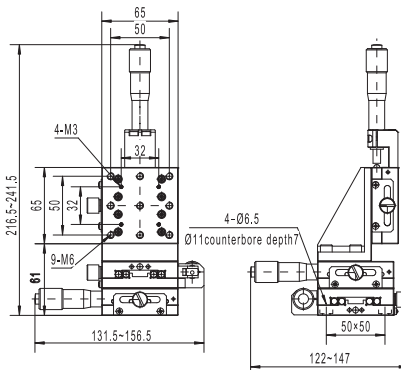
NFP-1462C 2PCS  
NFP-1462CZ 1PC  
NFP-462-Zkit 1PC



## NFP-3462LLZ

Combination Products:

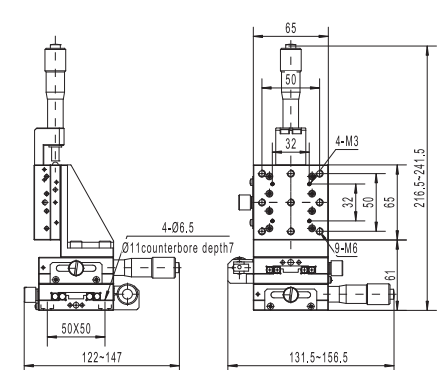
NFP-1462SL 2PCS  
NFP-1462CZ 1PC  
NFP-462-Zkit 1PC



## NFP-3462RRZ

Combination Products:

NFP-1462SR 2PCS  
NFP-1462CZ 1PC  
NFP-462-Zkit 1PC



## KSM Series Crossed-Roller Bearing Linear Stages

### KSM13(A)-40 Crossed-Roller Bearing Linear Stage, 13mm Travel, Sensitivity <math>< 2\mu\text{m}</math>

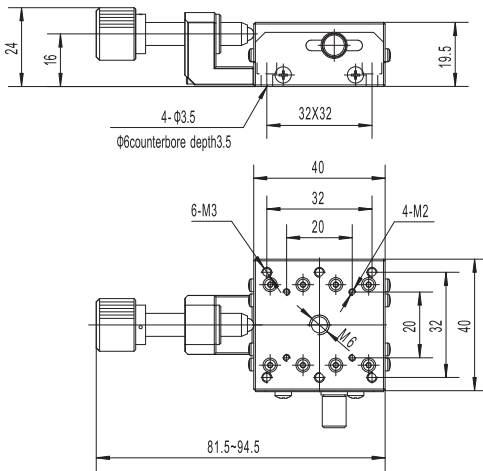


#### Model Sheet:

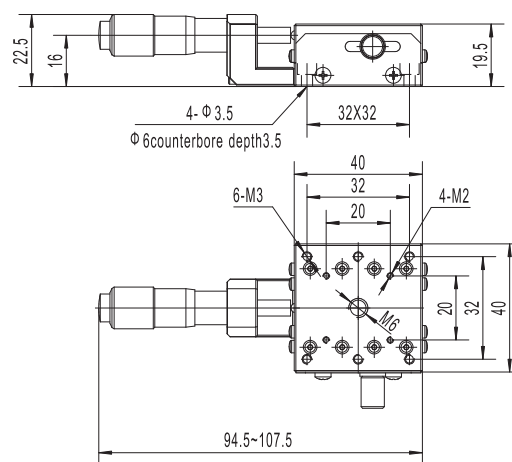
Model	KSM13(A)-40C	KSM13(A)-40CZ	KSM13(A)-40SR	KSM13(A)-40SL
Travel (mm)	13			
Sensitivity (mm)	<math>< 0.002</math>			
Table Size(mm)	40X40			
Bearings	Crossed-Roller bearing			
Drive	Screw(Micrometer)			
Drive Position	Center	Be used in vertical	Right	Left
Load Capacity(Kg)	5	1.5	5	5

#### Drawing:

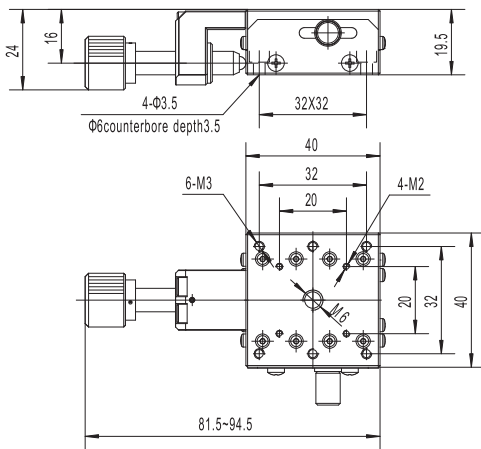
KSM13-40C ▼



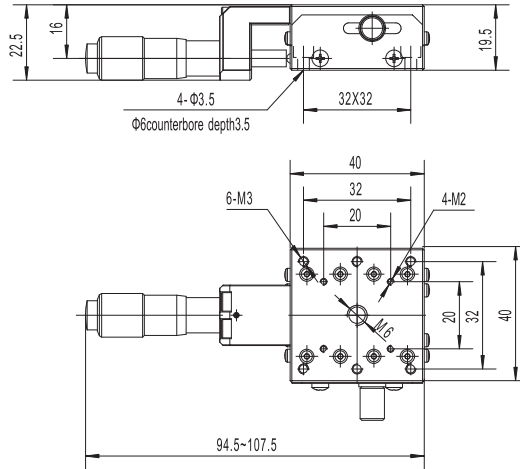
KSM13A-40C ▼



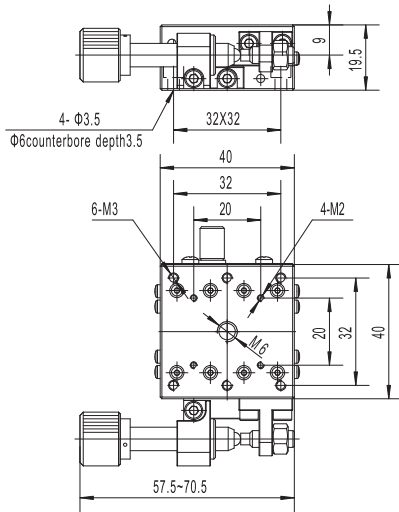
KSM13-40CZ ▼



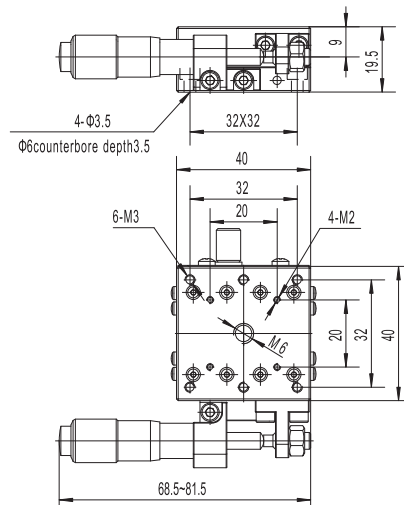
KSM13A-40CZ ▼



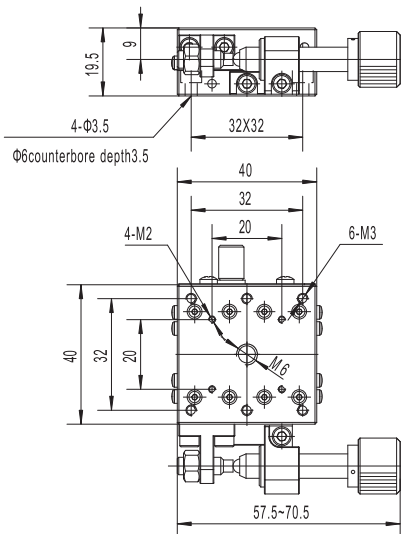
KSM13-40SR ▼



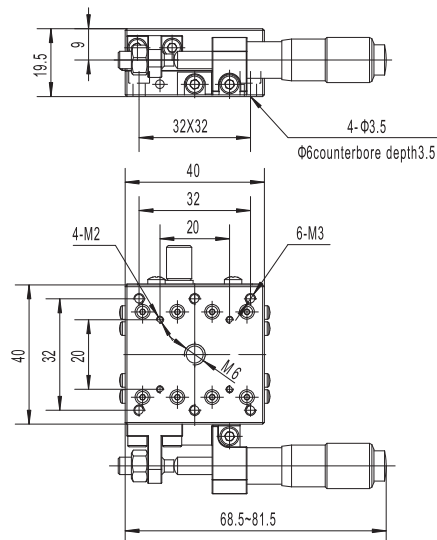
KSM13A-40SR ▼



KSM13-40SL ▼



KSM13A-40SL ▼



# KSM25(A) Crossed-Roller Bearing Linear Stage, 25mm Travel, Sensitivity < 2μm

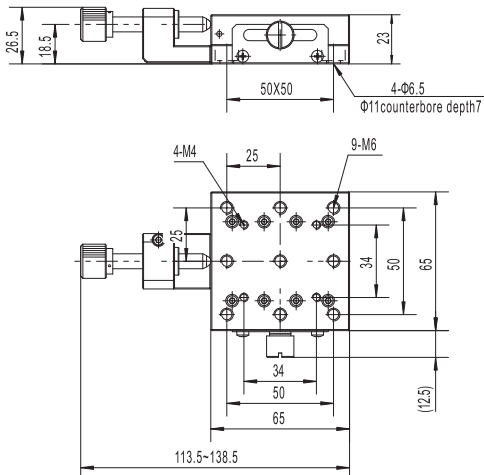


## Model Sheet:

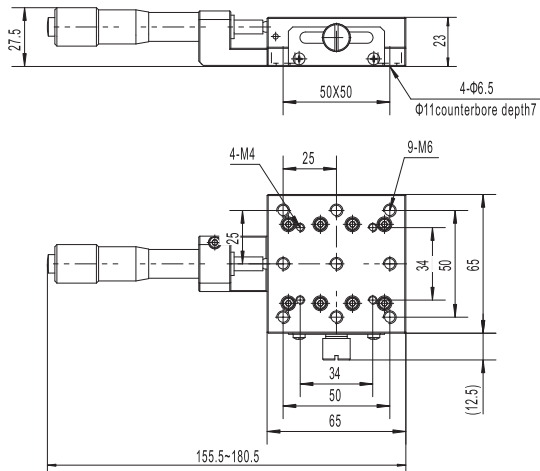
Model	KSM25(A)-65C	KSM25(A)-65CZ	KSM25(A)-65SR	KSM25(A)-65SL
Travel (mm)	25			
Sensitivity (mm)	<0.002			
Table Size(mm)	65x65			
Bearings	Crossed-Roller Bearing			
Drive	Screw(micrometer)			
Drive Position	Center	Be used in vertical	Right	Left
Load Capacity(Kg)	7	2.5	7	7

## Drawing:

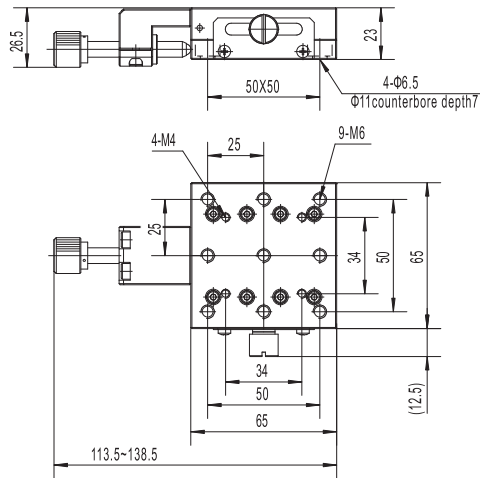
KSM25-65C ▼



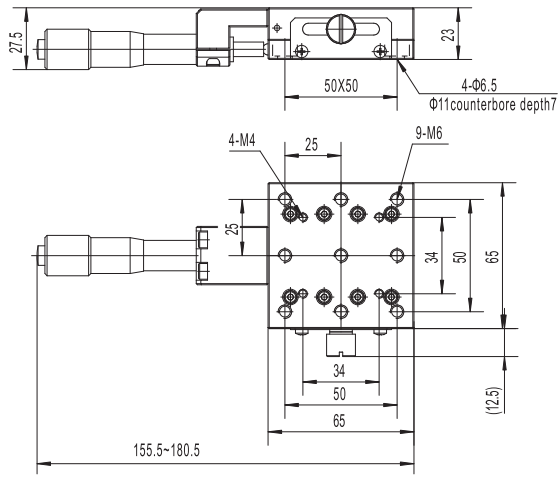
KSM25A-65C ▼



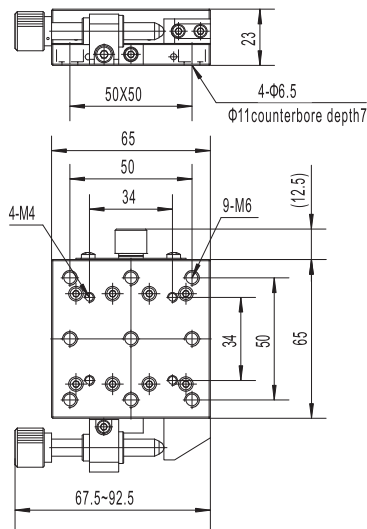
KSM25-65CZ ▼



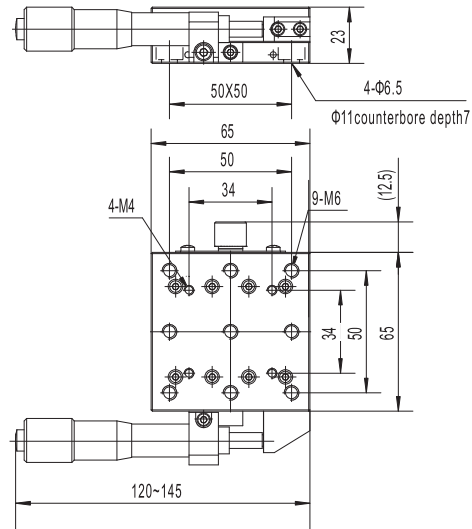
KSM25A-65CZ ▼



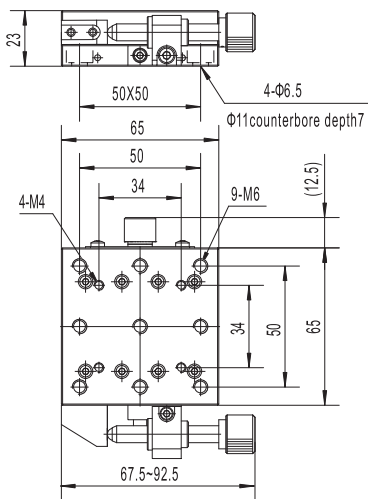
KSM25-65SR ▼



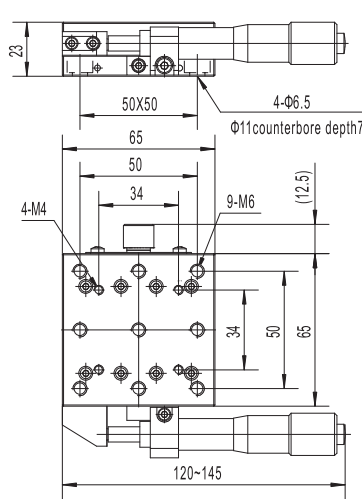
KSM25A-65SR ▼



KSM25-65SL ▼



KSM25A-65SL ▼



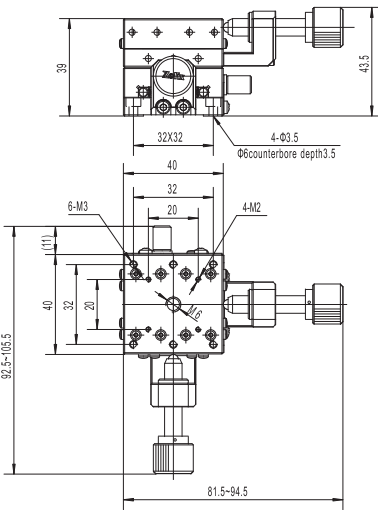
**AKSM13(A)-40 Crossed-Roller Bearing Linear Stage, 13mm Travel XY, Sensitivity <math>< 2\mu\text{m}</math>**



**AKSM13-40CC**



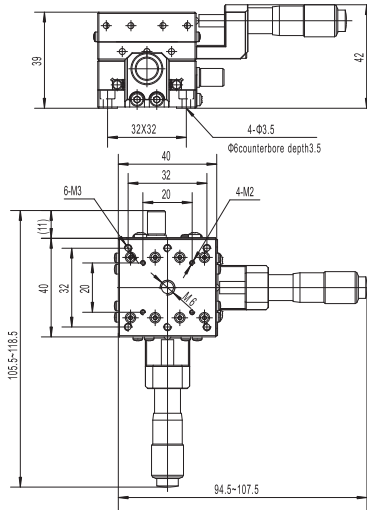
- Specification:
- Axis: XY
  - Travel: Tx, Ty: 13mm
- Combination Products:
- KSM13-40C 2PCS



**AKSM13A-40CC**



- Specification:
- Axis: XY
  - Travel: Tx, Ty: 13mm
- Combination Products:
- KSM13A-40C 2PCS

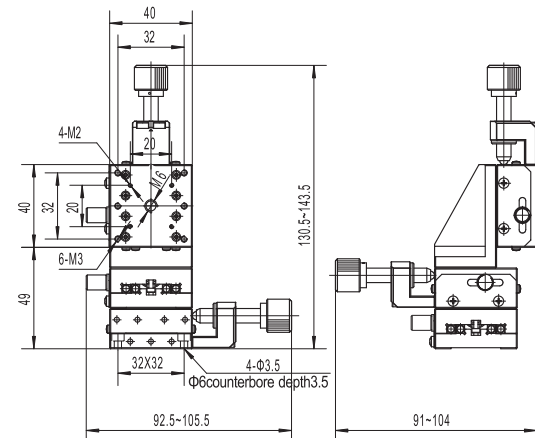


**AKSM13(A)-40 Crossed-Roller Bearing Linear Stage, 13mm Travel XYZ, Sensitivity <math>< 2\mu\text{m}</math>**

**AKSM13-40CCZ**



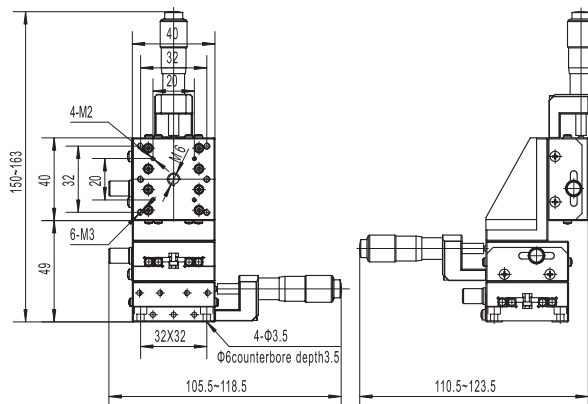
- Specification:
- Axis: XYZ
  - Travel: Tx, Ty, Tz: 13mm
- Combination Products:
- KSM13-40C 2PCS
  - KSM13-40CZ 1PC
  - PHOB-10 1PC



**AKSM13A-40CCZ**



- Specification:
- Axis: XYZ
  - Travel: Tx, Ty, Tz: 13mm
- Combination Products:
- KSM13A-40C 2PCS
  - KSM13A-40CZ 1PC
  - PHOB-10 1PC



**AKSM13-40LL**

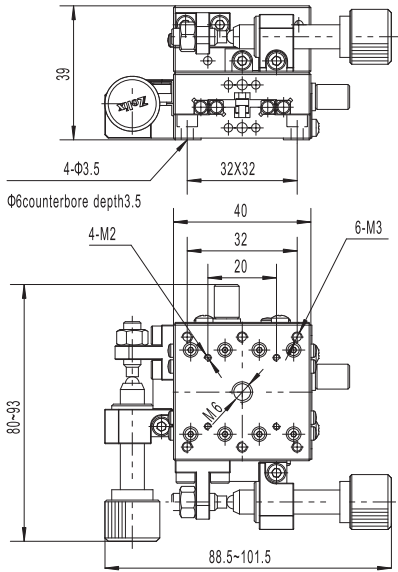


Specification:

- Axis: XY
- Travel: Tx,Ty: 13mm

Combination Products:

- KSM13-40SL 2PCS



**AKSM13A-40LL**

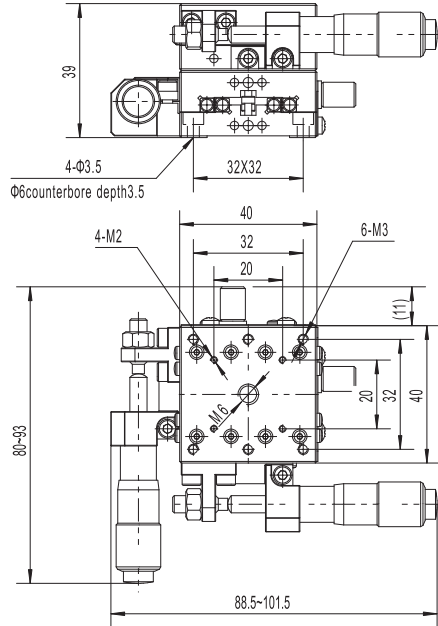


Specification:

- Axis: XY
- Travel: Tx,Ty: 13mm

Combination Products:

- KSM13A-40SL 2PCS



**AKSM13-40LLZ**

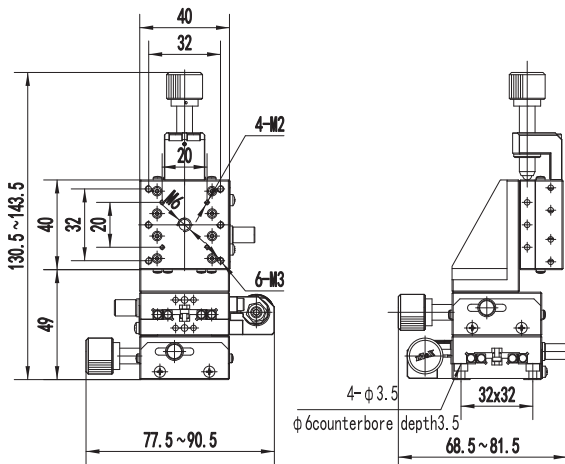


Specification:

- Axis: XYZ
- Travel: Tx,Ty,Tz: 13mm

Combination Products:

- KSM13-40SL 2PCS
- KSM13-40CZ 1PC
- PHOB-10 1PC



**AKSM13A-40LLZ**

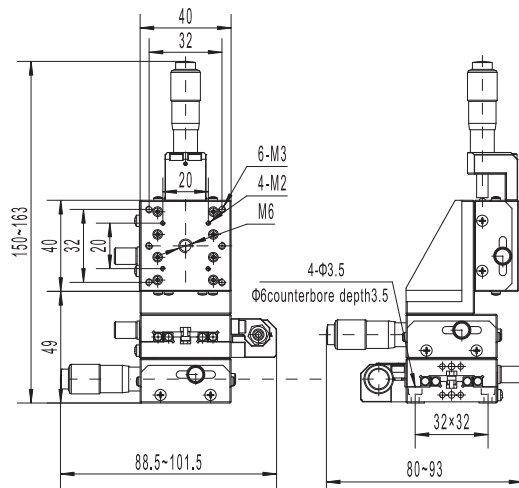


Specification:

- Axis: XYZ
- Travel: Tx,Ty,Tz: 13mm

Combination Products:

- KSM13A-40SL 2PCS
- KSM13A-40CZ 1PC
- PHOB-10 1PC



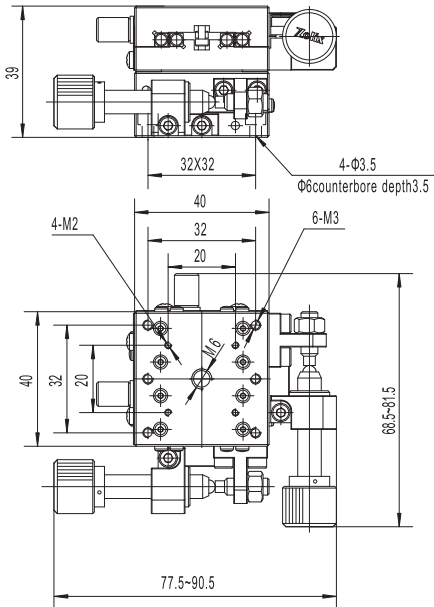


**AKSM13-40RR**



Specification:

- Axis: XY
  - Travel: Tx, Ty: 13mm
- Combination Products:
- KSM13-40SR 2PCS

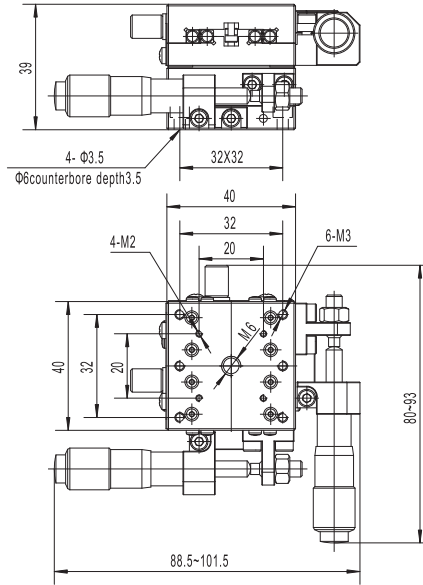


**AKSM13A-40RR**



Specification:

- Axis: XY
  - Travel: Tx, Ty: 13mm
- Combination Products:
- KSM13A-40SR 2PCS

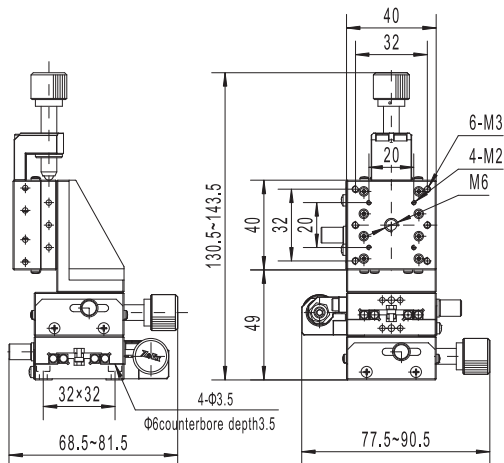


**AKSM13-40RRZ**



Specification:

- Axis: XYZ
  - Travel: Tx, Ty, Tz: 13mm
- Combination Products:
- KSM13-40SR 2PCS
  - KSM13-40CZ 1PC
  - PHOB-10 1PC

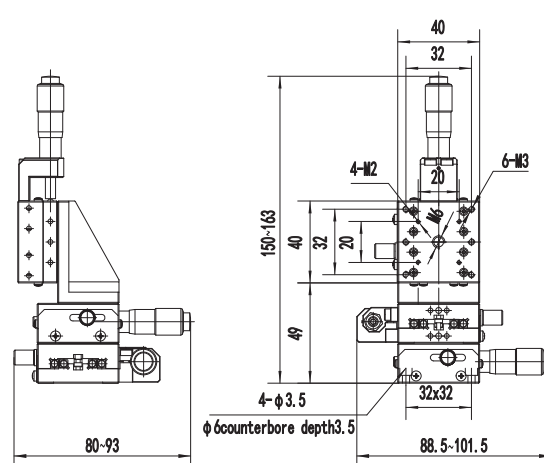


**AKSM13A-40RRZ**



Specification:

- Axis: XYZ
  - Travel: Tx, Ty, Tz: 13mm
- Combination Products:
- KSM13A-40SR 2PCS
  - KSM13A-40CZ 1PC
  - PHOB-10 1PC



## AKSM25(A)-65 Crossed-Roller Bearing Linear Stage, 25mm Travel XY, Sensitivity <math>< 2\mu\text{m}</math>

### AKSM25-65CC

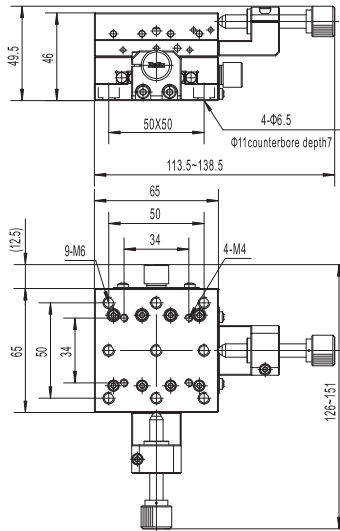


Specification:

- Axis: XY
- Travel: Tx, Ty: 25mm

Combination Products:

- KSM25-65C 2PCS



### AKSM25A-65CC

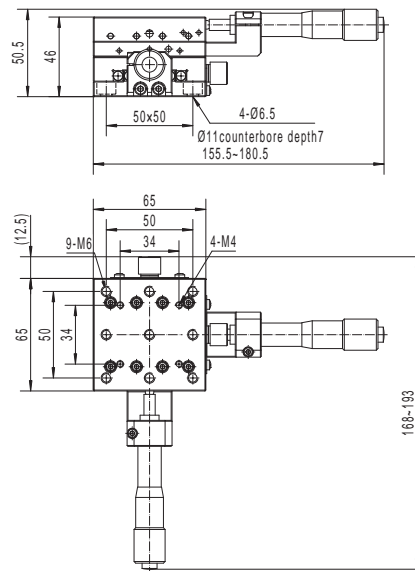


Specification:

- Axis: XY
- Travel: Tx, Ty: 25mm

Combination Products:

- KSM25A-65C 2PCS



### AKSM25-65CCZ

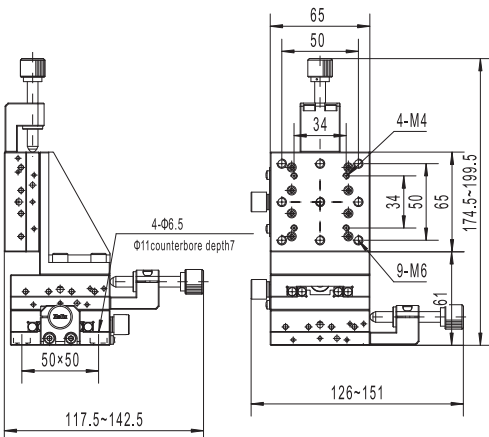


Specification:

- Axis: XYZ
- Travel: Tx, Ty, Tz: 25mm

Combination Products:

- KSM25-65C 2PCS
- KSM25-65CZ 1PC
- PHOB-8 1PC



### AKSM25A-65CCZ

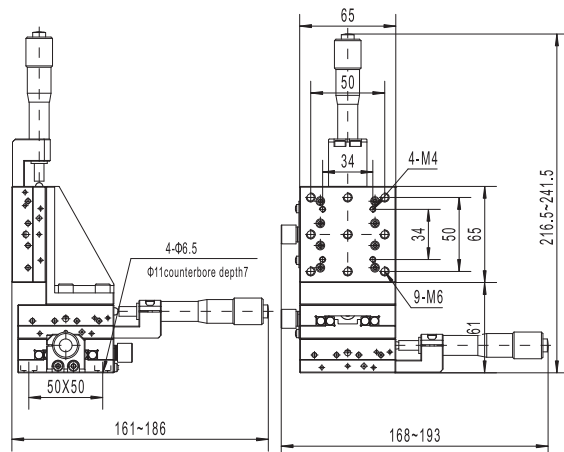


Specification:

- Axis: XYZ
- Travel: Tx, Ty, Tz: 25mm

Combination Products:

- KSM25A-65C 2PCS
- KSM25A-65CZ 1PC
- PHOB-8 1PC

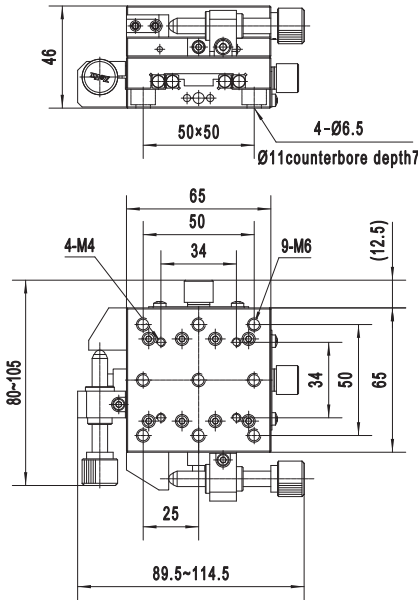


**AKSM25(A)-65 Crossed-Roller Bearing Linear Stage, 25mm Travel XYZ, Sensitivity < 2μm**

**AKSM25-65LL**



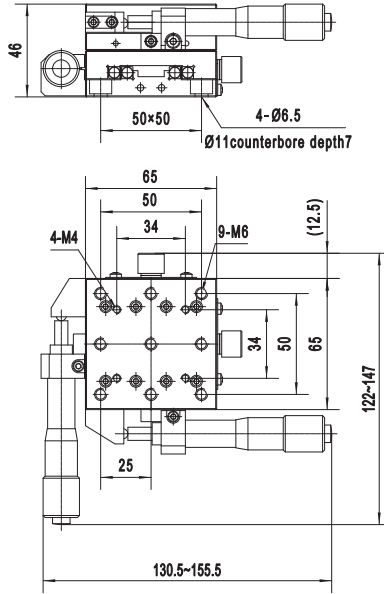
- Specification:
- Axis: XY
  - Travel: Tx, Ty: 25mm
- Combination Products:
- KSM25-65SL 2PCS



**AKSM25A-65LL**



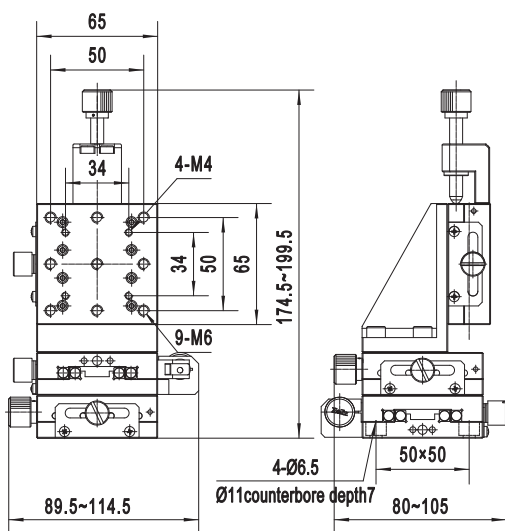
- Specification:
- Axis: XY
  - Travel: Tx, Ty: 25mm
- Combination Products:
- KSM25A-65SL 2PCS



**AKSM25-65LLZ**



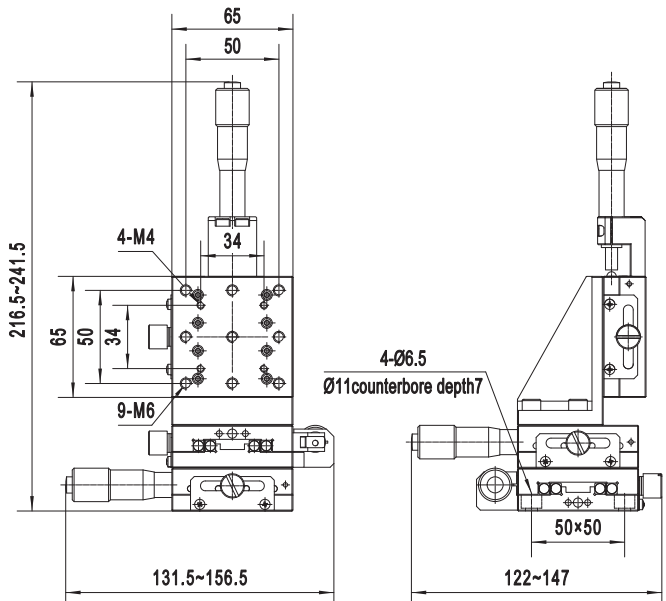
- Specification:
- Axis: XYZ
  - Travel: Tx, Ty, Tz: 25mm
- Combination Products:
- KSM25-65SL 2PCS
  - KSM25-65CZ 1PC
  - PHOB-8 1PC



**AKSM25A-65LLZ**



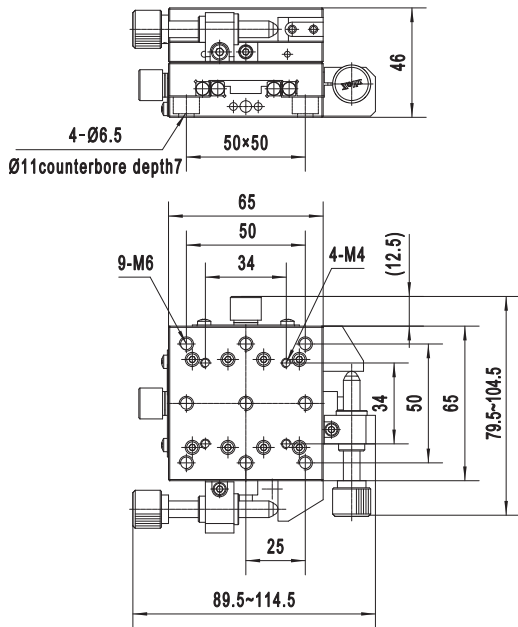
- Specification:
- Axis: XYZ
  - Travel: Tx, Ty, Tz: 25mm
- Combination Products:
- KSM25A-65SL 2PCS
  - KSM25A-65CZ 1PC
  - PHOB-8 1PC



**AKSM25-65RR**



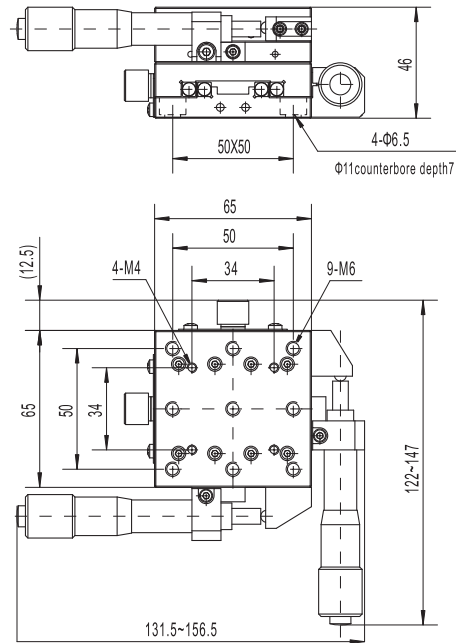
Specification:  
 ● Axis: XY  
 ● Travel: Tx,Ty: 25mm  
 Combination Products:  
 ● KSM25-65SR 2PCS



**AKSM25A-65RR**



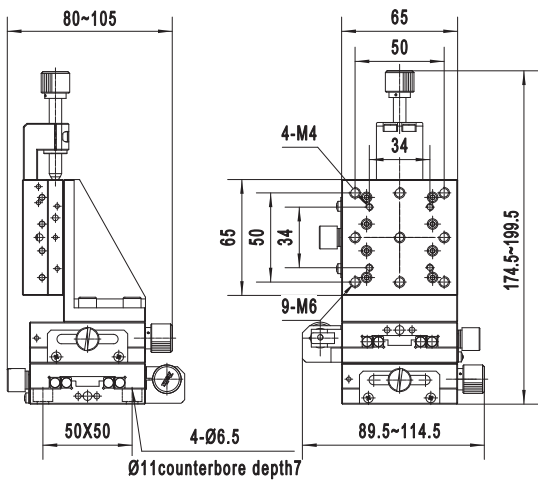
Specification:  
 ● Axis: XY  
 ● Travel: Tx,Ty: 25mm  
 Combination Products:  
 ● KSM25A-65SR 2PCS



**AKSM25-65RRZ**



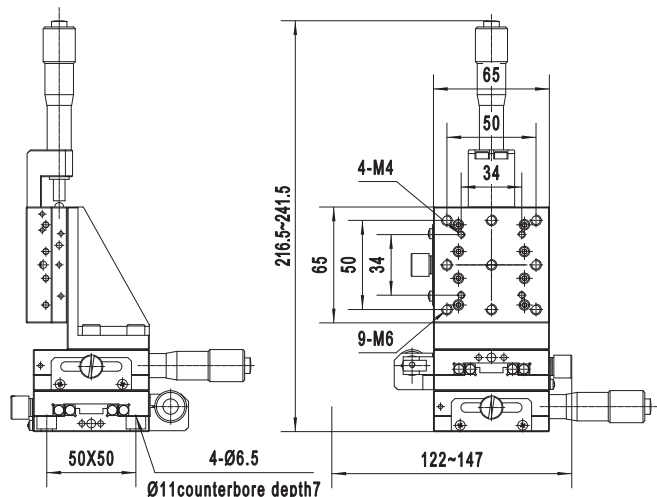
Specification:  
 ● Axis: XYZ  
 ● Travel: Tx,Ty,Tz: 25mm  
 Combination Products:  
 ● KSM25-65SR 2PCS  
 ● KSM25-65CZ 1PC  
 ● PHOB-8 1PC



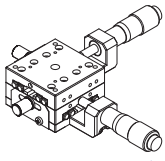
**AKSM25A-65RRZ**



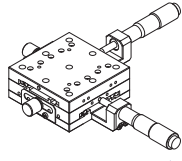
Specification:  
 ● Axis: XYZ  
 ● Travel: Tx,Ty,Tz: 25mm  
 Combination Products:  
 ● KSM25A-65SR 2PCS  
 ● KSM25A-65CZ 1PC  
 ● PHOB-8 1PC



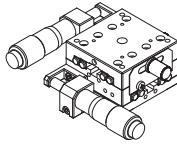
## KSMW series Crossed-Roller Bearing Linear Stage 13/25mm Travel XY, Sensitivity <math><2\mu\text{m}</math>



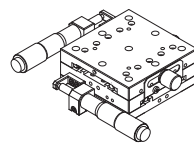
KSMW13A-40CC ▲



KSMW25A-65CC ▲



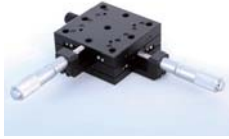
KSMW13A-40LL ▲



KSMW25A-65LL ▲



KSMW13A-40CC-L ▲



KSMW25A-65CC-L ▲



KSMW13A-40RR ▲



KSMW25A-65RR ▲

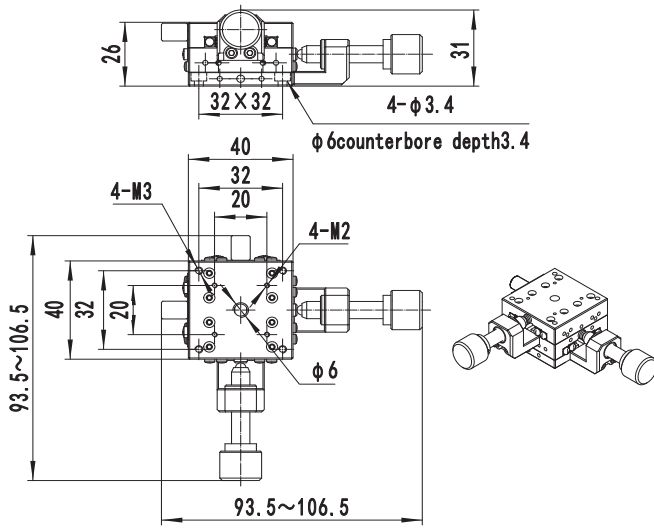
It is very convenient for KSMW to combine with KSM series linear stage, specially for space limited application ; The cross-roller bearing ensure sensitivity and linearity;

### Model Sheet:

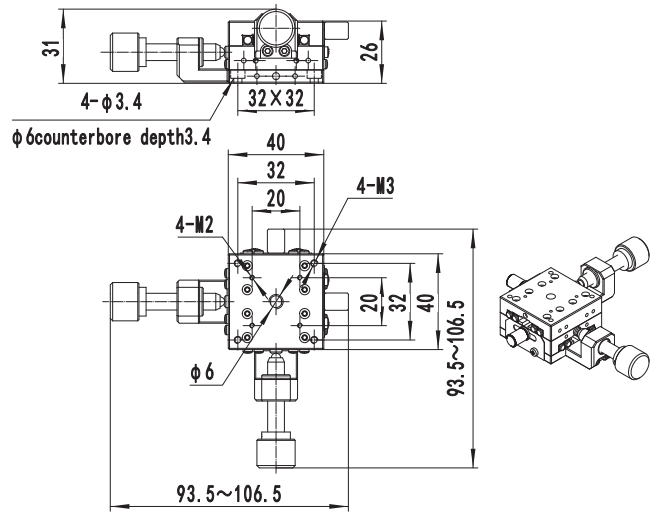
Model	KSMW 13(A)-40CC	KSMW13(A)-40CC-L	KSMW 13(A)-40LL	KSMW 13(A)-40RR	KSMW 25(A)-65CC	KSMW25(A)-65CC-L	KSMW 25(A)-65LL	KSMW 25(A)-65RR
Travel(mm)	13				25			
Sensitivity(mm)	<math><0.002</math>							
Table Dimension(mm)	40×40				65×65			
Table Thickness(mm)	26				28			
Guide	Crossed-Roller Bearing							
Driver	Screw/Micrometer							
Driver Position	Center	Center	Left	Right	Center	Center	Left	Right
Load(Kg)	4				6			

**Drawing:**

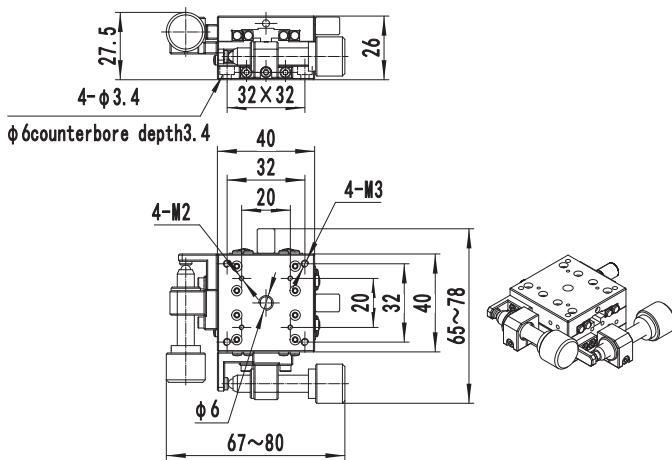
KSMW13-40CC-L ▼



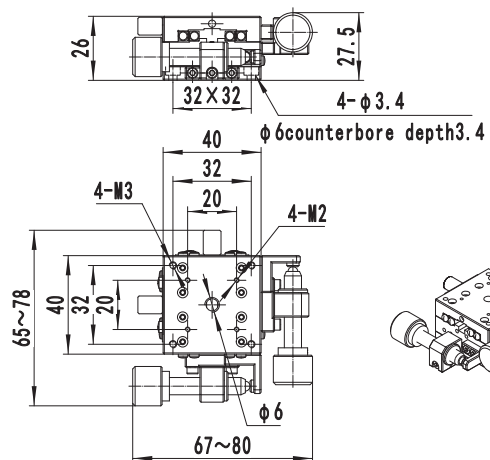
KSMW13-40CC ▼



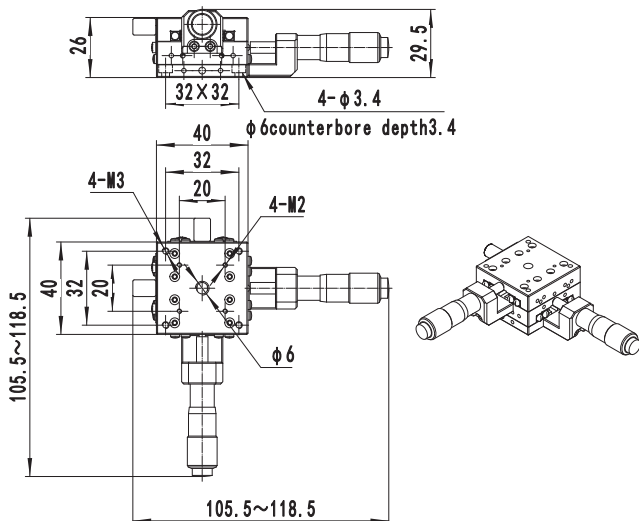
KSMW13-40LL ▼



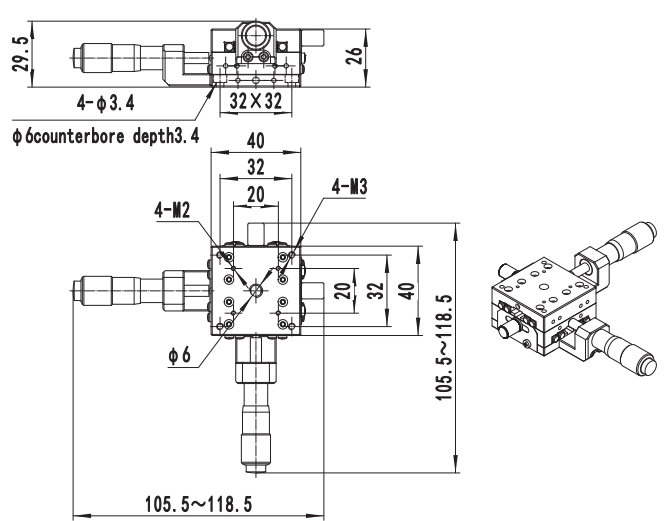
KSMW13-40RR ▼



KSMW13A-40CC-L ▼



KSMW13A-40CC ▼



Fiber Alignment Stages

Manual Linear Stages

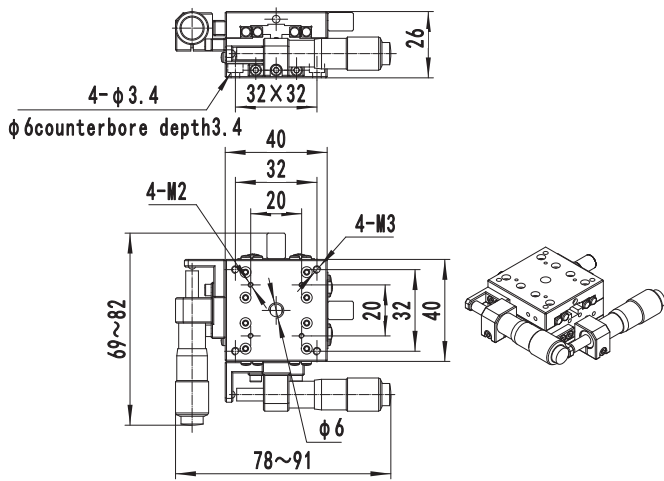
Manual Vertical Stages

Manual Rotation Stages

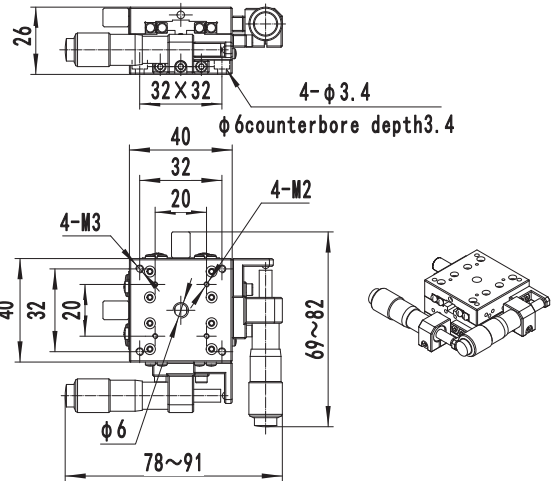
Manual Goniometer/Tilt Stages

Combinated Stages

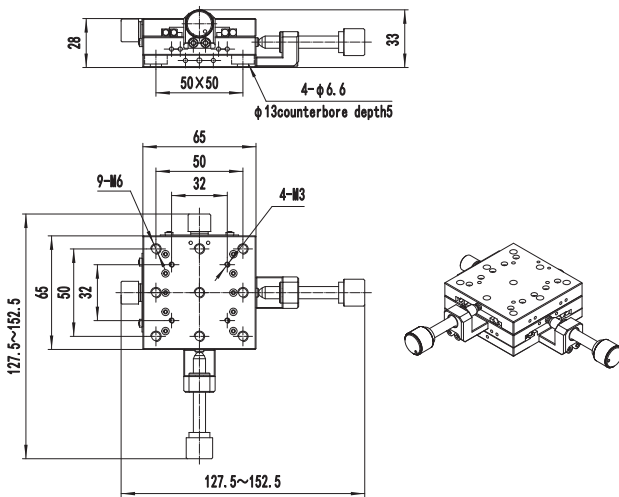
KSMW13A-40LL ▼



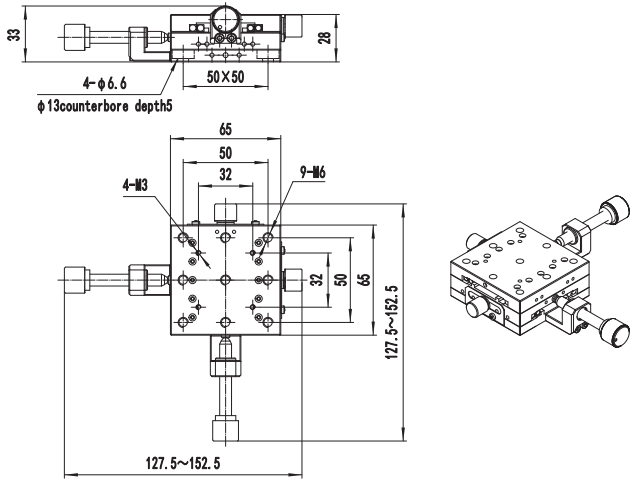
KSMW13A-40RR ▼



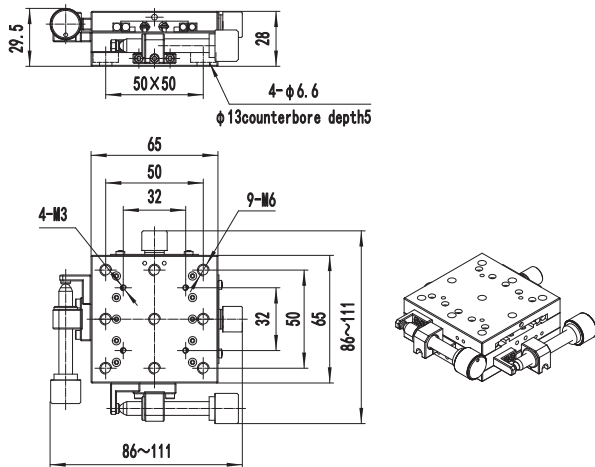
KSMW25-65CC-L ▼



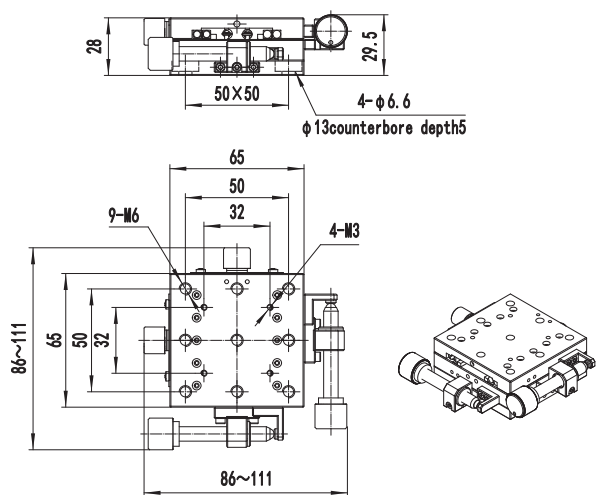
KSMW25-65CC ▼



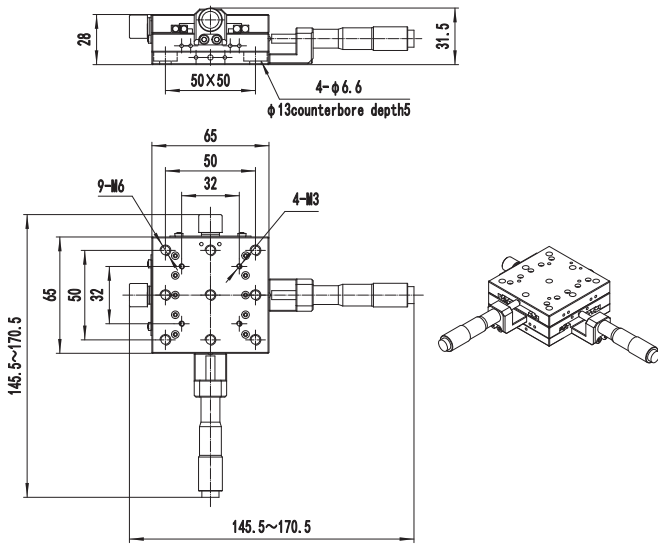
KSMW25-65LL ▼



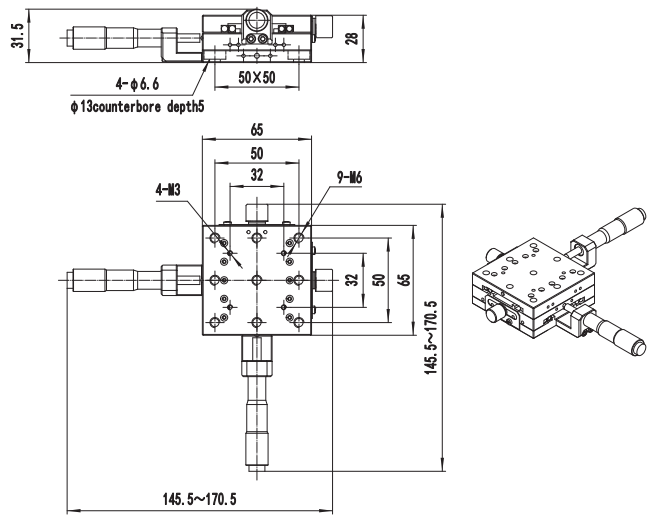
KSMW25-65RR ▼



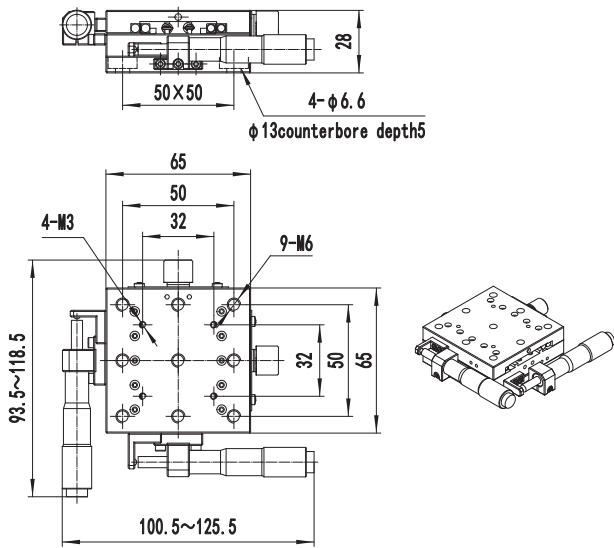
KSMW25A-65CC-L ▼



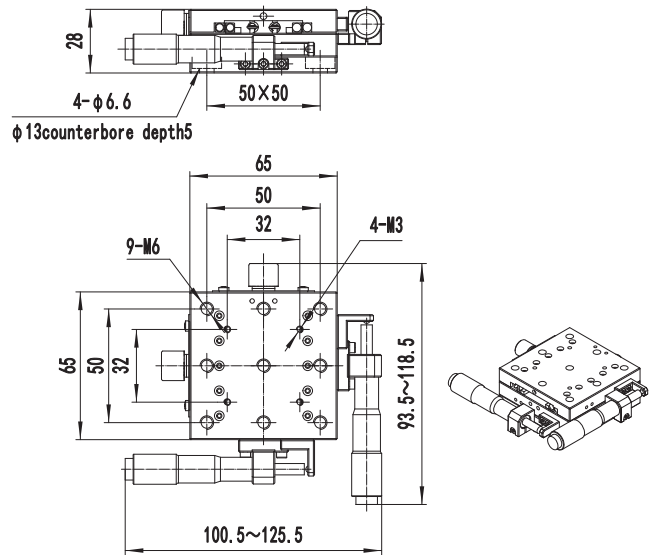
KSMW25A-65CC ▼



KSMW25A-65LL ▼



KSMW25A-65RR ▼





# PSM Series Ball Bearing Linear Stages



## PSM13(A)-34 Ball Bearing Linear Stage, 13mm Travel, Sensitivity <math>< 3\mu\text{m}</math>

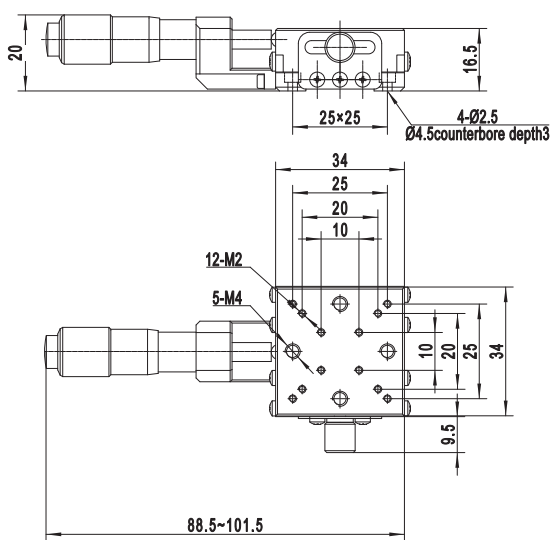
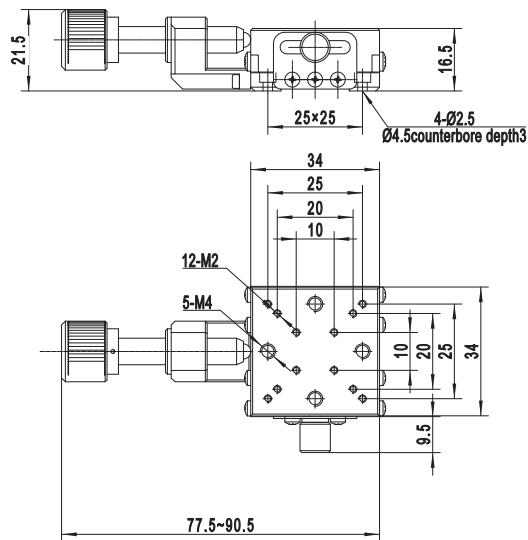
### Model Sheet:

Model	PSM13(A)-34C	PSM13(A)-34CZ	PSM13(A)-34SR	PSM13(A)-34SL
Travel (mm)	13			
Sensitivity (mm)	<math>< 3\mu\text{m}</math>			
Table size(mm)	34x34			
Bearings	Ball Bearing			
Drive	Screw(micrometer)			
Drive position	Center	Be used in vertical	Right	Left
Load Capacity(Kg)	5	1.5	5	5

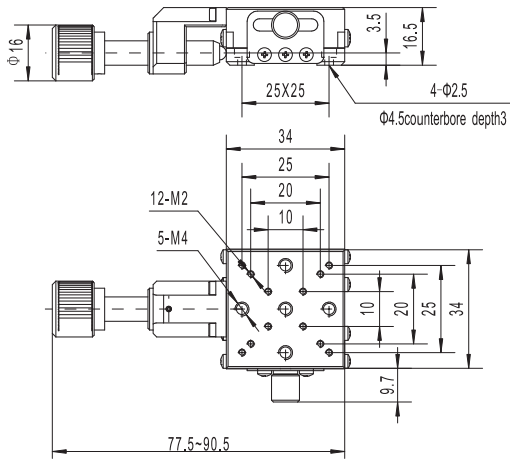
### Drawing:

PSM13-34C ▼

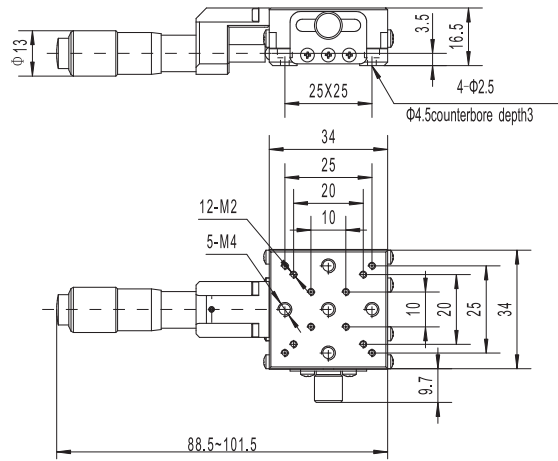
PSM13A-34C ▼



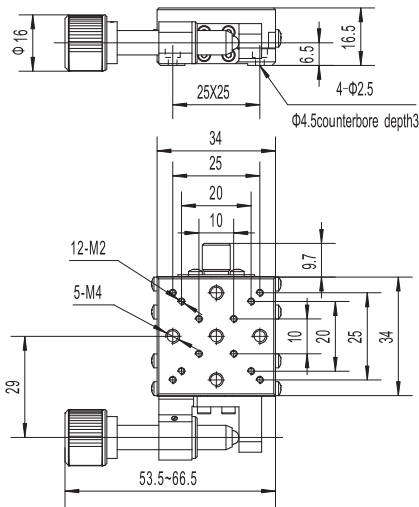
PSM13-34CZ ▼



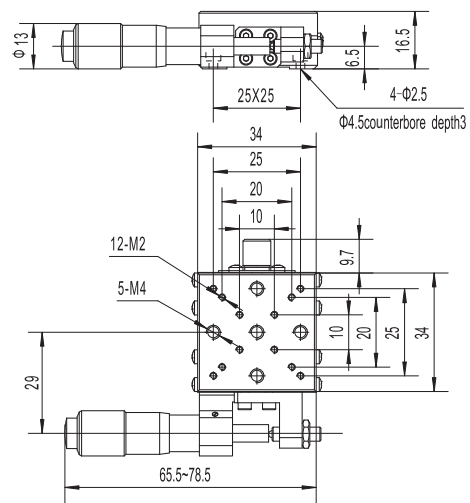
PSM13A-34CZ ▼



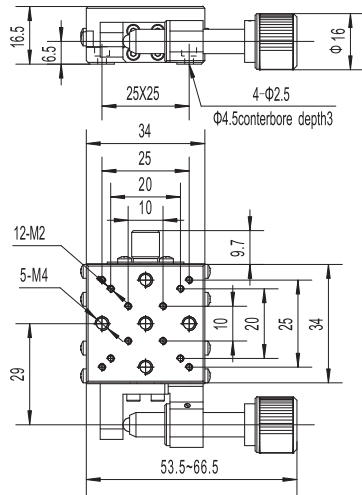
PSM13-34SR ▼



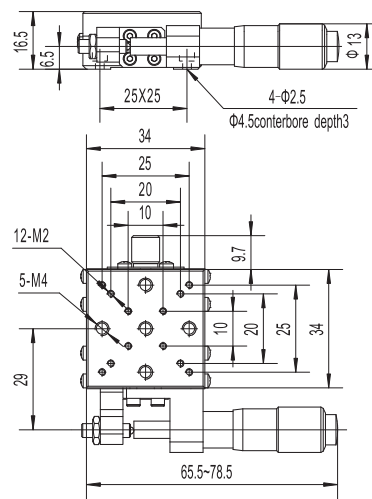
PSM13A-34SR ▼



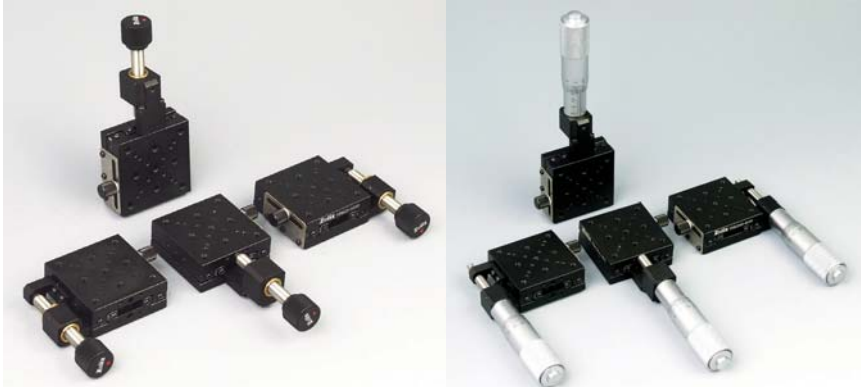
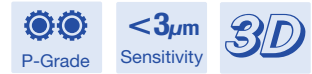
PSM13-34SL ▼



PSM13A-34SL ▼



# PSM25(A)-45 Ball Bearing Linear Stage, 25mm Travel, Sensitivity <math>< 3\mu\text{m}</math>

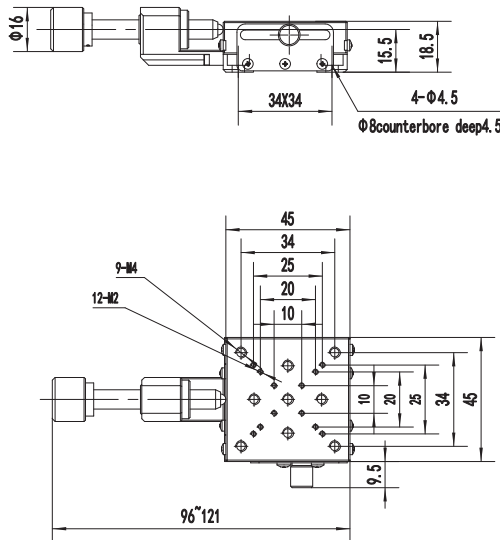


## Model Sheet:

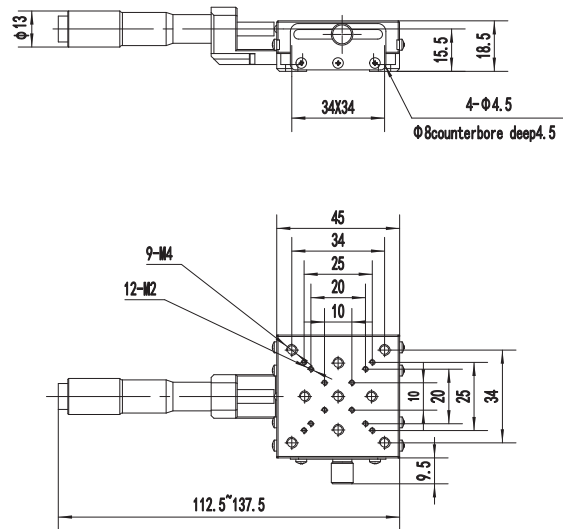
Model	PSM25(A)-45C	PSM25(A)-45CZ	PSM25(A)-45SR	PSM25(A)-65SL
Travel (mm)	25			
Sensitivity (mm)	<math>< 0.003</math>			
Table Size(mm)	45x45			
Bearings	Ball Bearing			
Drive	Screw(micrometer)			
Drive Position	Center	Be used in vertical	Right	Left
Load Capacity(Kg)	5	1.5	5	5

## Drawing:

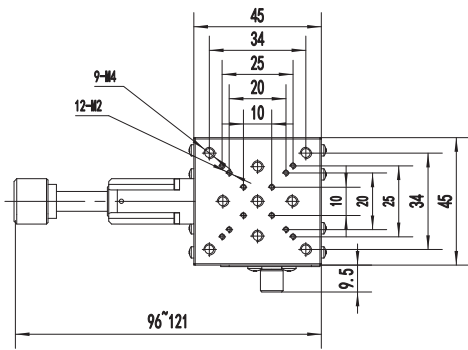
PSM25-45C ▼



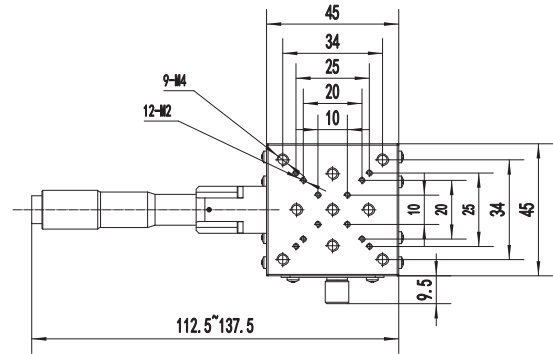
PSM25A-45C ▼



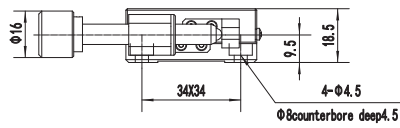
PSM25-45CZ ▼



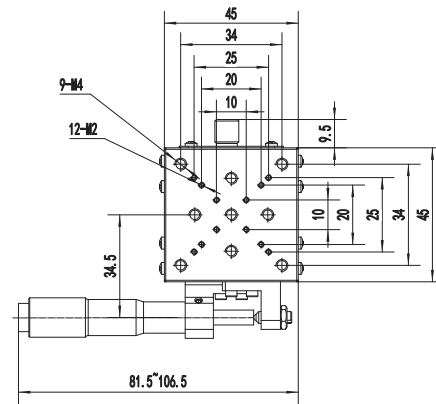
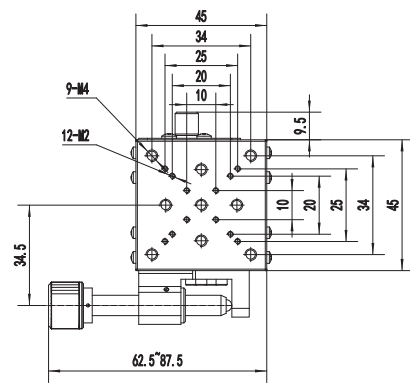
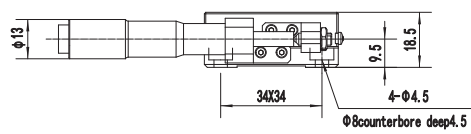
PSM25A-45CZ ▼



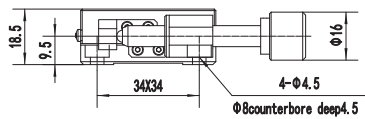
PSM25-45SR ▼



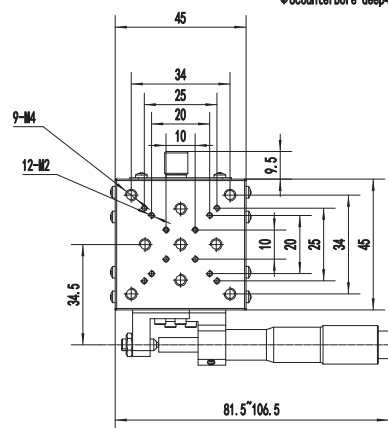
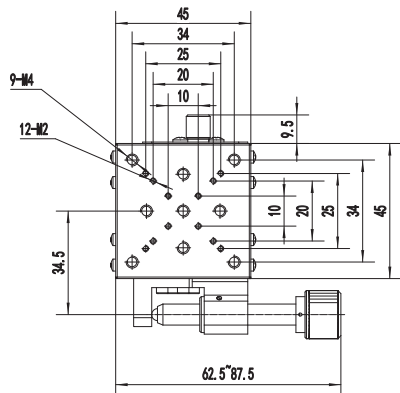
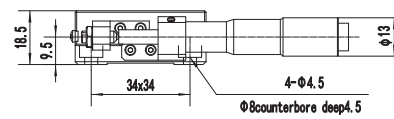
PSM25A-45SR ▼



PSM25-45SL ▼



PSM25A-45SL ▼



# PSM25(A)-65 Ball Bearing Linear Stage, 25mm Travel, Sensitivity < 3μm

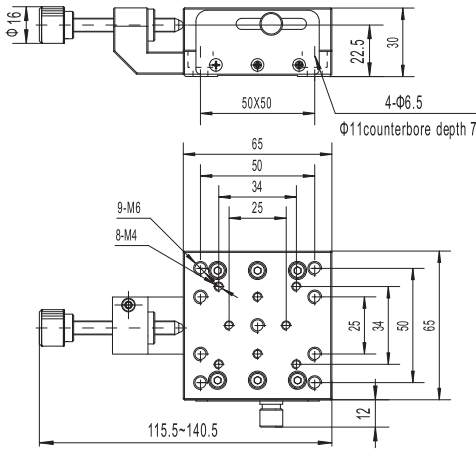


**Model Sheet:**

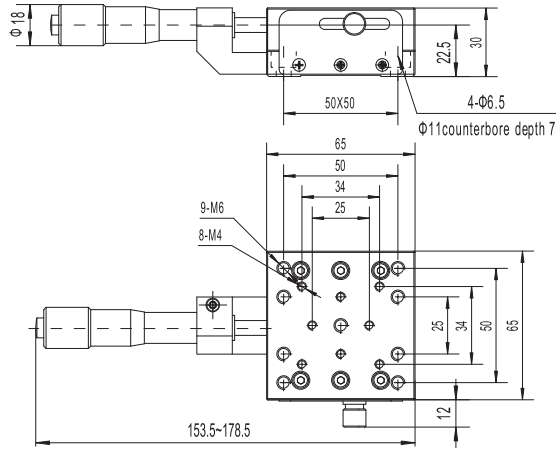
Model	PSM25(A)-65C	PSM25(A)-65CZ	PSM25(A)-65SR	PSM25(A)-65SL
Travel(mm)	25			
Sensitivity (mm)	<0.003			
Table Size(mm)	65x65			
Bearings	Ball Bearing			
Drive	Screw(micrometer)			
Drive Position	Center	Be used in vertical	Right	Left
Load Capacity(Kg)	7	2.5	7	7

**Drawing:**

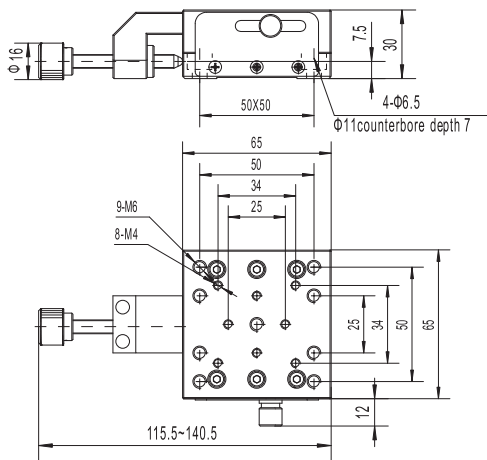
PSM25-65C ▼



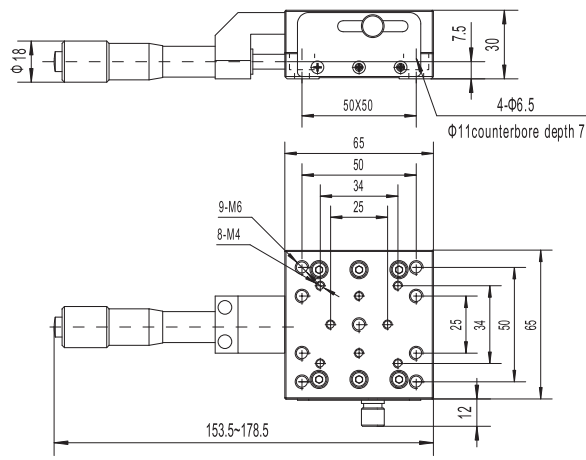
PSM25A-65C ▼



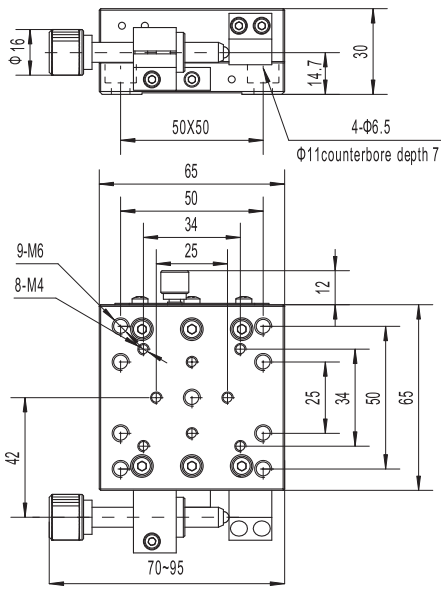
PSM25-65CZ ▼



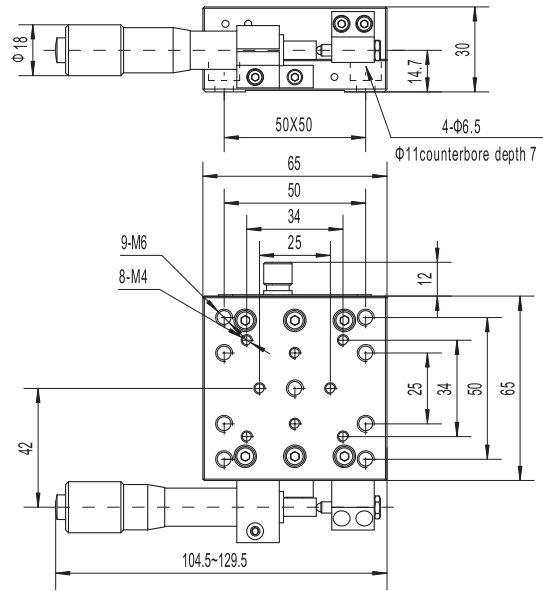
PSM25A-65CZ ▼



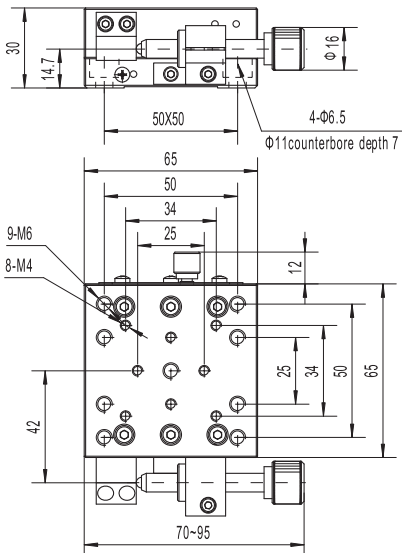
PSM25-65SR ▼



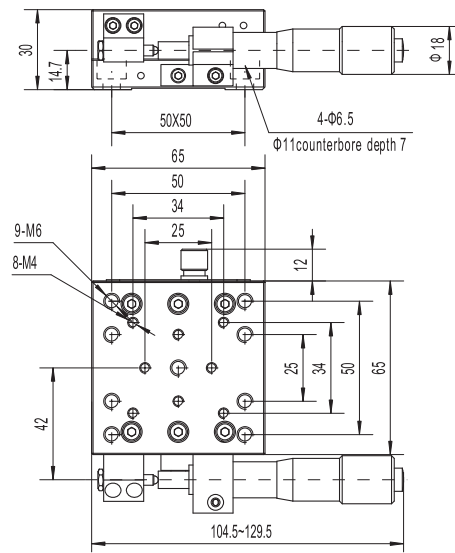
PSM25A-65SR ▼



PSM25-65SL ▼



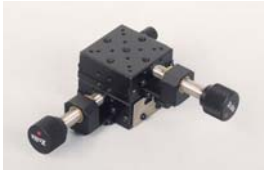
PSM25A-65SL ▼





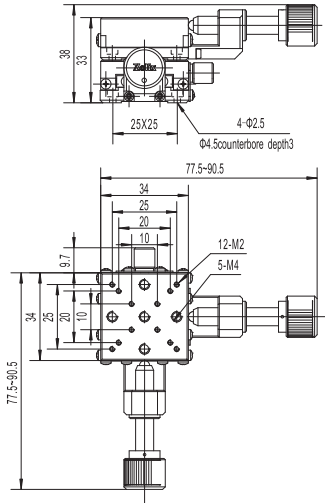
## APSM13(A)-34 Ball Bearing Linear Stage, 13mm Travel XY, Sensitivity < 3µm

### APSM13-34CC



Specification:

- Axis: XY
  - Travel: Tx, Ty: 13mm
- Combination Products:
- PSM13-34C 2PCS

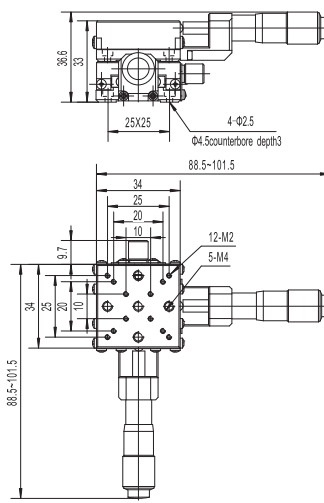


### APSM13A-34CC



Specification:

- Axis: XY
  - Travel: Tx, Ty: 13mm
- Combination Products:
- PSM13A-34C 2PCS



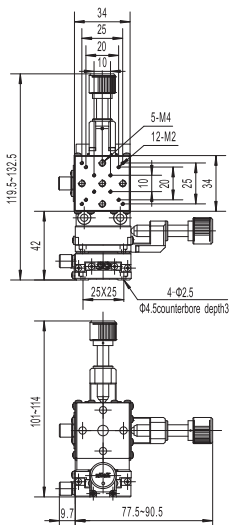
## APSM13(A)-34 Ball Bearing Linear Stage, 13mm Travel XYZ, Sensitivity < 3µm

### APSM13-34CCZ



Specification:

- Axis: XYZ
  - Travel: Tx, Ty, Tz: 13mm
- Combination Products:
- PSM13-34C 2PCS
  - PSM13-34CZ 1PC
  - PHOB-5 1PC

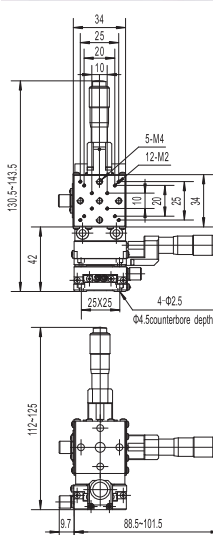


### APSM13A-34CCZ



Specification:

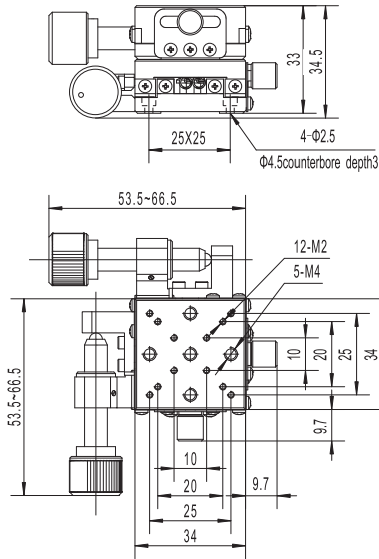
- Axis: XYZ
  - Travel: Tx, Ty, Tz: 13mm
- Combination Products:
- PSM13A-34C 2PCS
  - PSM13A-34CZ 1PC
  - PHOB-5 1PC



**APSM13-34LL**



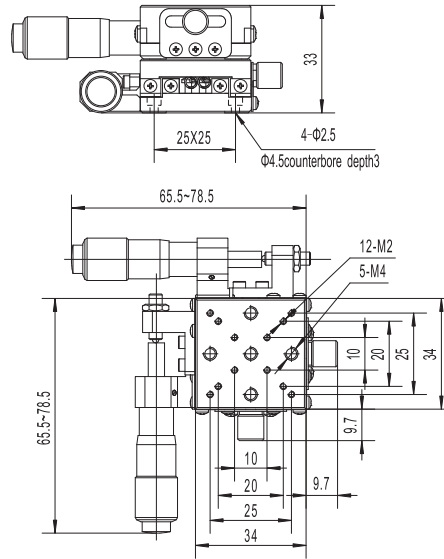
- Specification:
- Axis: XY
  - Travel: Tx, Ty: 13mm
- Combination Products:
- PSM13-34SL 2PCS



**APSM13A-34LL**



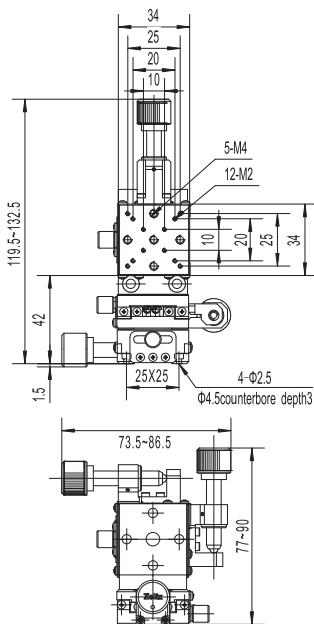
- Specification:
- Axis: XY
  - Travel: Tx, Ty: 13mm
- Combination Products:
- PSM13A-34SL 2PCS



**APSM13-34LLZ**



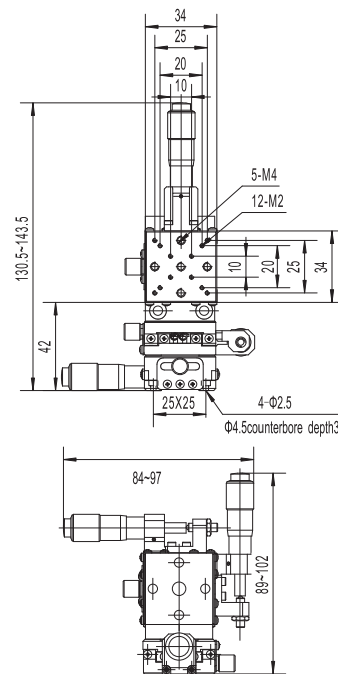
- Specification:
- Axis: XYZ
  - Travel: Tx, Ty, Tz: 13mm
- Combination Products:
- PSM13-34SL 2PCS
  - PSM13-34CZ 1PC
  - PHOB-5 1PC



**APSM13A-34LLZ**



- Specification:
- Axis: XYZ
  - Travel: Tx, Ty, Tz: 13mm
- Combination Products:
- PSM13A-34SL 2PCS
  - PSM13A-34CZ 1PC
  - PHOB-5 1PC





**APSM13-34RR**

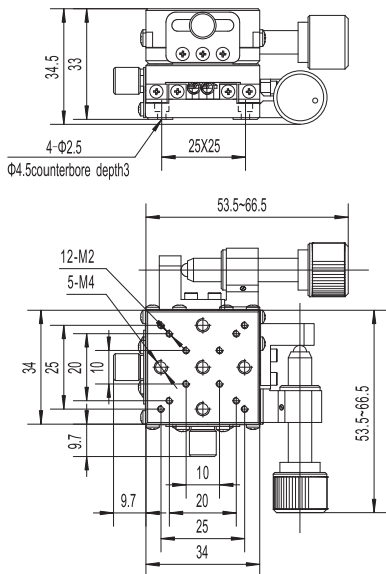


Specification:

- Axis: XY
- Travel: Tx, Ty: 13mm

Combination Products:

- PSM13-34SR 2PCS



**APSM13A-34RR**

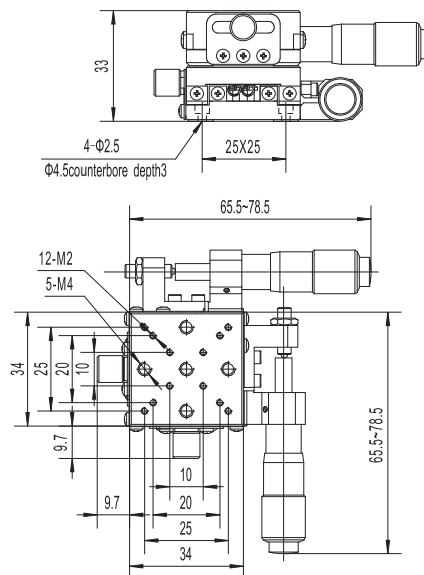


Specification:

- Axis: XY
- Travel: Tx, Ty: 13mm

Combination Products:

- PSM13A-34SR 2PCS



**APSM13-34RRZ**

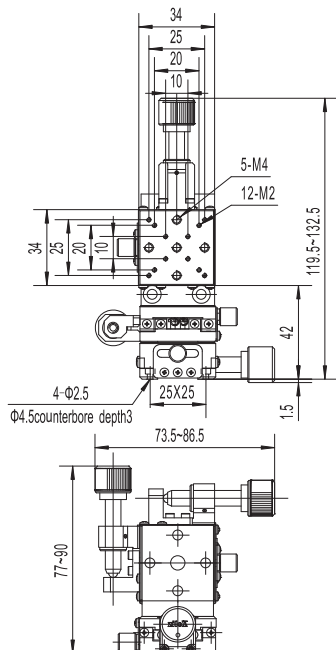


Specification:

- Axis: XYZ
- Travel: Tx, Ty, Tz: 13mm

Combination Products:

- PSM13-34SR 2PCS
- PSM13-34CZ 1PC
- PHOB-5 1PC



**APSM13A-34RRZ**

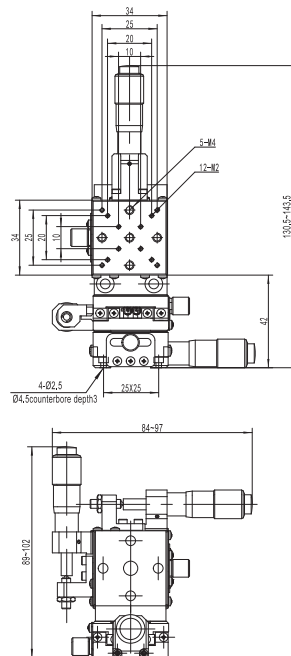


Specification:

- Axis: XYZ
- Travel: Tx, Ty, Tz: 13mm

Combination Products:

- PSM13A-34SR 2PCS
- PSM13A-34CZ 1PC
- PHOB-5 1PC



# APSM25(A) Ball Bearing Linear Stage, 25mm Travel XY, Sensitivity < 3µm

## APSM25-45CC

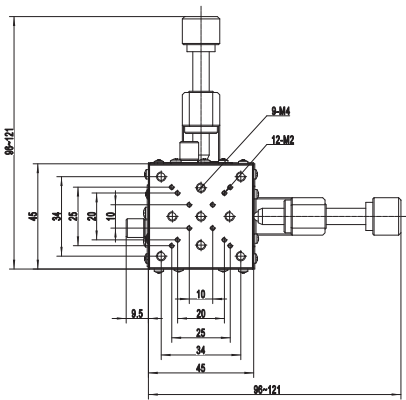
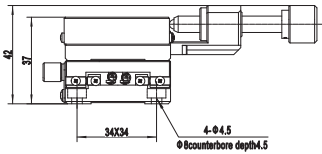


Specification:

- Axis: XY
- Travel: Tx, Ty: 25mm

Combination Products:

- PSM25-45C 2PCS



## APSM25A-45CC

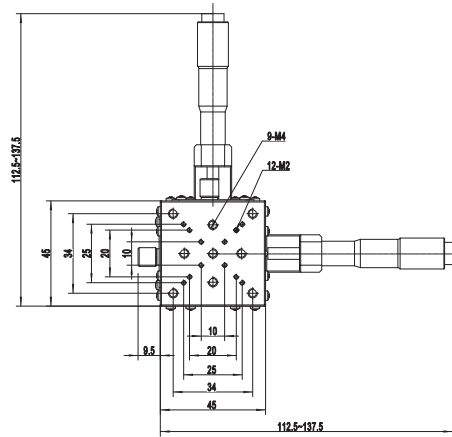
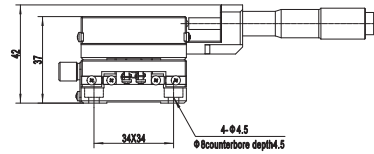


Specification:

- Axis: XY
- Travel: Tx, Ty: 25mm

Combination Products:

- PSM25A-45C 2PCS



## APSM25-45CCZ

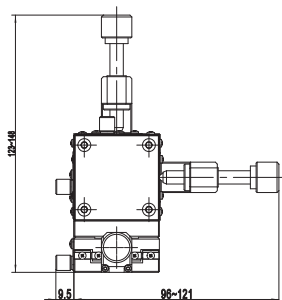
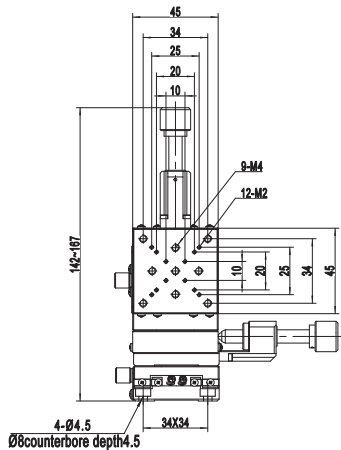


Specification:

- Axis: XYZ
- Travel: Tx, Ty, Tz: 25mm

Combination Products:

- PSM25-45C 2PCS
- PSM25-45CZ 1PC
- PHOB-9 1PC



## APSM25A-45CCZ

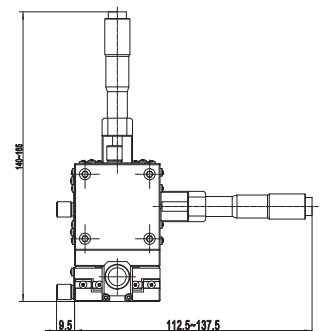
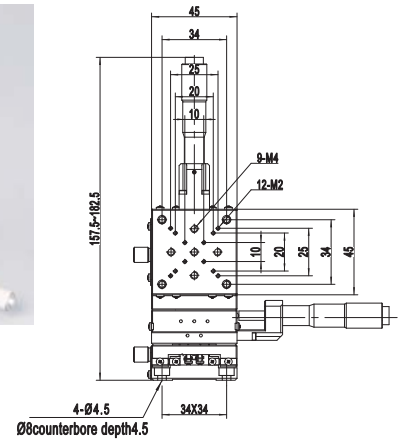


Specification:

- Axis: XYZ
- Travel: Tx, Ty, Tz: 25mm

Combination Products:

- PSM25A-45C 2PCS
- PSM25A-45CZ 1PC
- PHOB-9 1PC



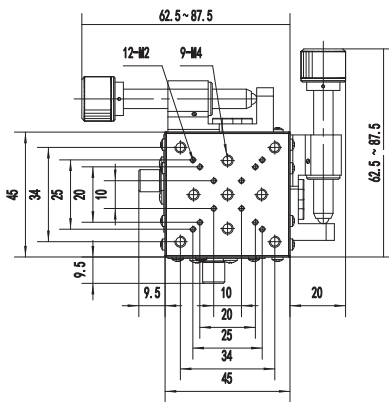
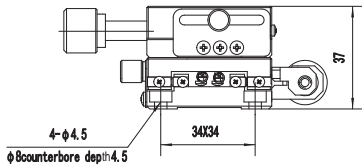
# APSM25(A) Ball Bearing Linear Stage, 25mm Travel XYZ, Sensitivity < 3μm

## APSM25-45LL



Specification:

- Axis: XY
  - Travel: Tx, Ty: 25mm
- Combination Products:
- PSM25-45SL 2PCS

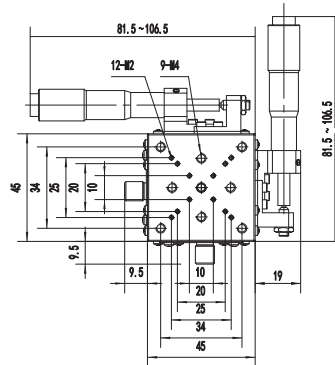
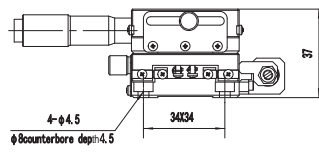


## APSM25A-45LL



Specification:

- Axis: XY
  - Travel: Tx, Ty: 25mm
- Combination Products:
- PSM25A-45SL 2PCS

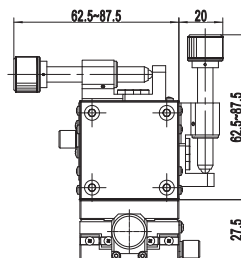
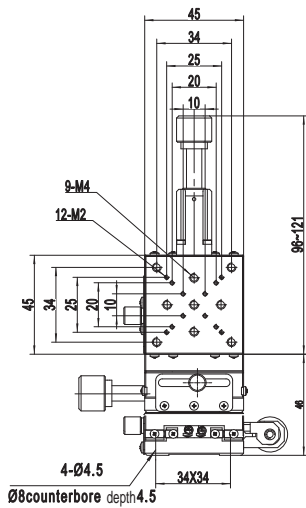


## APSM25-45LLZ



Specification:

- Axis: XYZ
  - Travel: Tx, Ty, Tz: 25mm
- Combination Products:
- PSM25-45SL 2PCS
  - PSM25-45CZ 1PC
  - PHOB-9 1PC

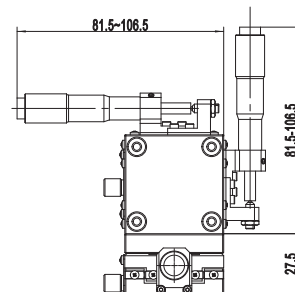
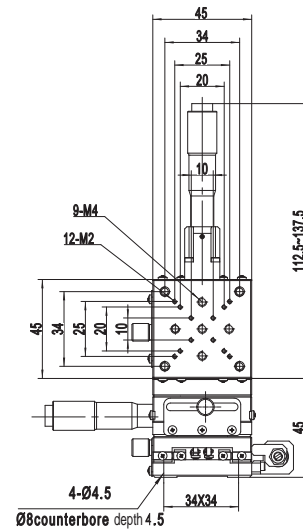


## APSM25A-45LLZ



Specification:

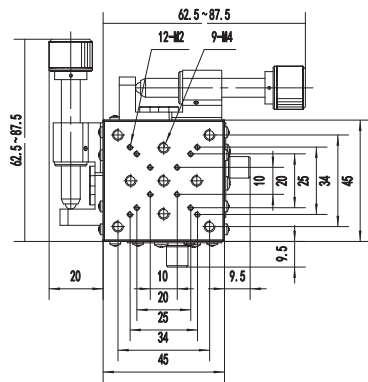
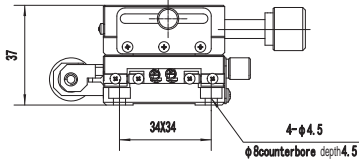
- Axis: XYZ
  - Travel: Tx, Ty, Tz: 25mm
- Combination Products:
- PSM25A-45SL 2PCS
  - PSM25A-45CZ 1PC
  - PHOB-9 1PC



**APSM25-45RR**



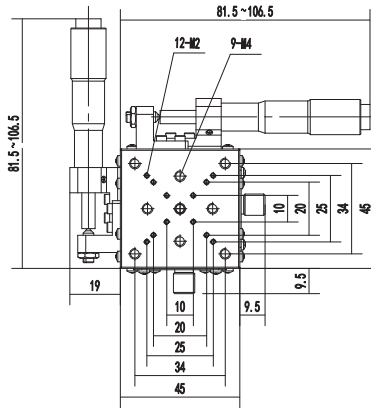
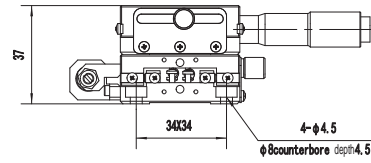
- Specification:
- Axis: XY
  - Travel: Tx, Ty: 25mm
- Combination Products:
- PSM25-45SR 2PCS



**APSM25A-45RR**



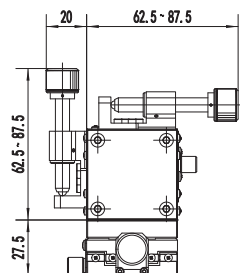
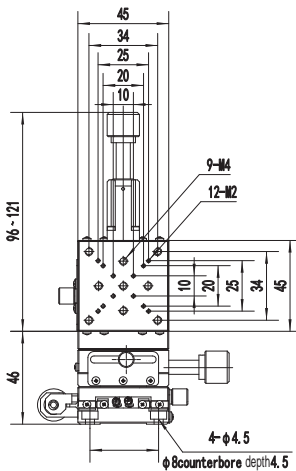
- Specification:
- Axis: XY
  - Travel: Tx, Ty: 25mm
- Combination Products:
- PSM25A-45SR 2PCS



**APSM25-45RRZ**



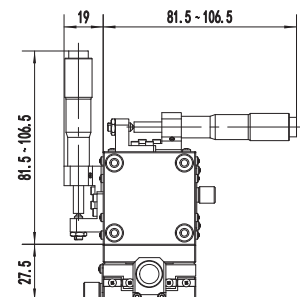
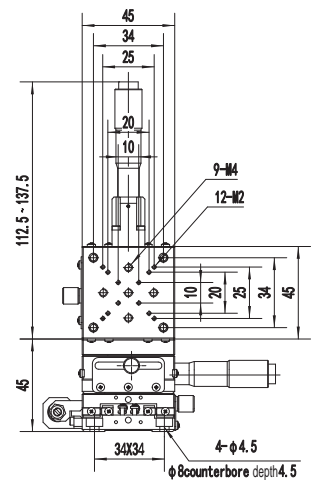
- Specification:
- Axis: XYZ
  - Travel: Tx, Ty, Tz: 25mm
- Combination Products:
- PSM25-45SR 2PCS
  - PSM25-45CZ 1PC
  - PHOB-9 1PC



**APSM25A-45RRZ**



- Specification:
- Axis: XYZ
  - Travel: Tx, Ty, Tz: 25mm
- Combination Products:
- PSM25A-45SR 2PCS
  - PSM25A-45CZ 1PC
  - PHOB-9 1PC



**APSM25-65CC**

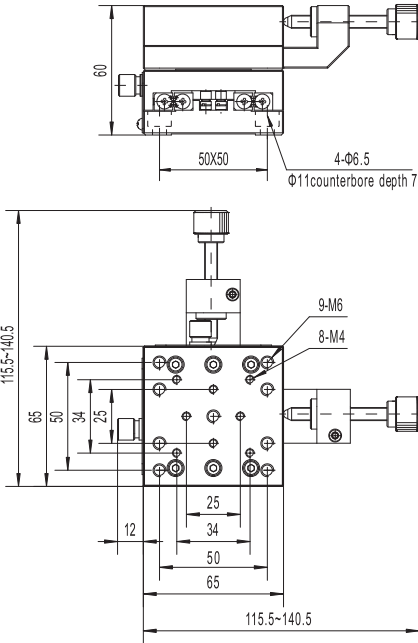


Specification:

- Axis: XY
- Travel: Tx, Ty: 25mm

Combination Products:

- PSM25-65C 2PCS



**APSM25A-65CC**

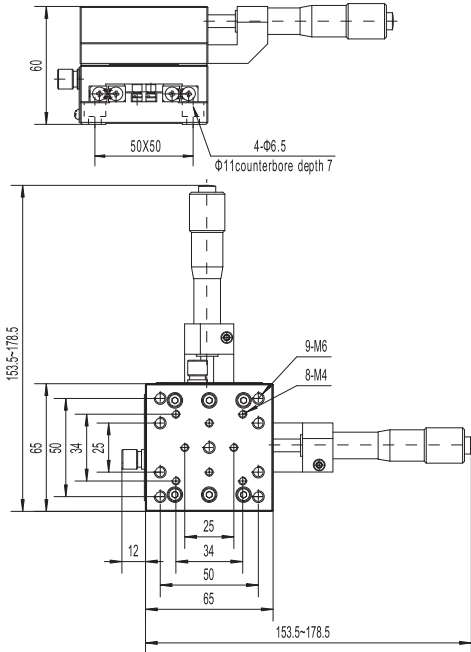


Specification:

- Axis: XY
- Travel: Tx, Ty: 25mm

Combination Products:

- PSM25A-65C 2PCS



**APSM25-65CCZ**

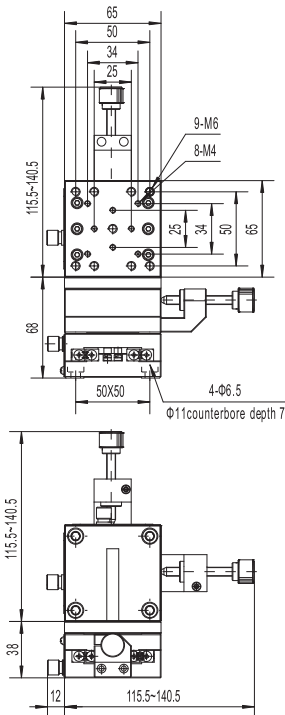


Specification:

- Axis: XYZ
- Travel: Tx, Ty, Tz: 25mm

Combination Products:

- PSM25-65C 2PCS
- PSM25-65CZ 1PC
- PHOB-8 1PC



**APSM25A-65CCZ**

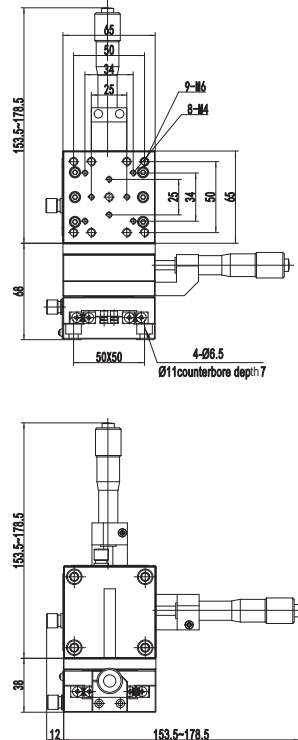


Specification:

- Axis: XYZ
- Travel: Tx, Ty, Tz: 25mm

Combination Products:

- PSM25A-65C 2PCS
- PSM25A-65CZ 1PC
- PHOB-8 1PC

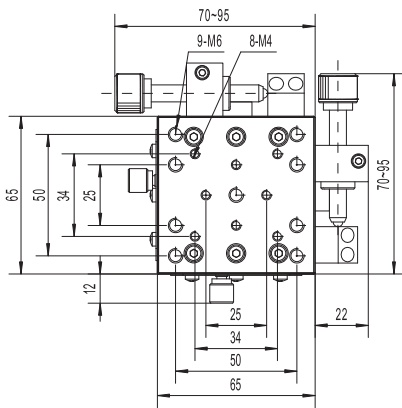
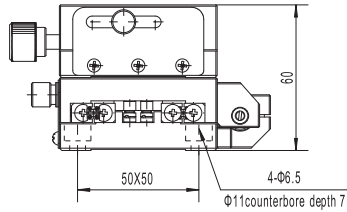


### APSM25-65LL



Specification:

- Axis: XY
  - Travel: Tx, Ty: 25mm
- Combination Products:
- PSM25-65SL 2PCS

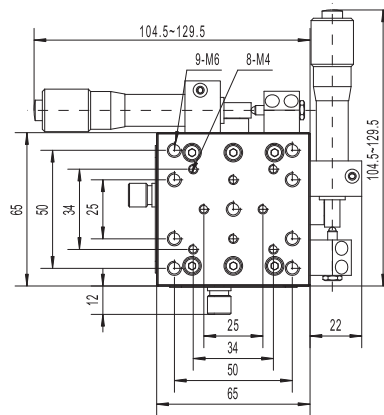
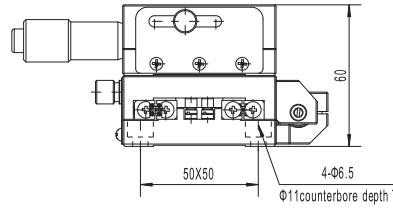


### APSM25A-65LL



Specification:

- Axis: XY
  - Travel: Tx, Ty: 25mm
- Combination Products:
- PSM25A-65SL 2PCS

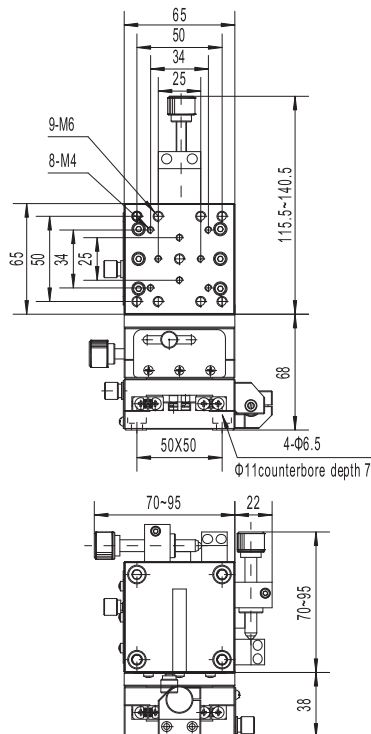


### APSM25-65LLZ



Specification:

- Axis: XYZ
  - Travel: Tx, Ty, Tz: 25mm
- Combination Products:
- PSM25-65SL 2PCS
  - PSM25-65CZ 1PC
  - PHOB-8 1PC

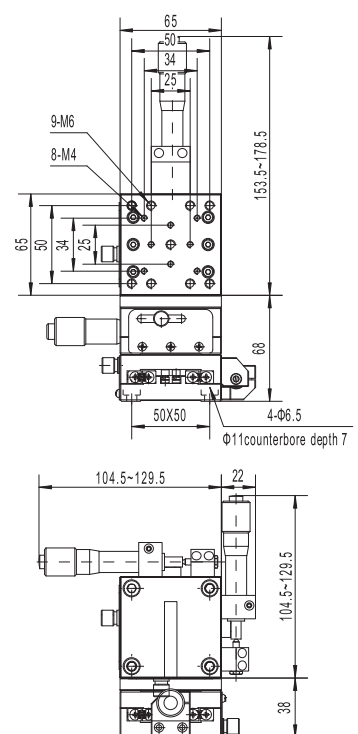


### APSM25A-65LLZ



Specification:

- Axis: XYZ
  - Travel: Tx, Ty, Tz: 25mm
- Combination Products:
- PSM25A-65SL 2PCS
  - PSM25A-65CZ 1PC
  - PHOB-8 1PC



**APSM25-65RR**

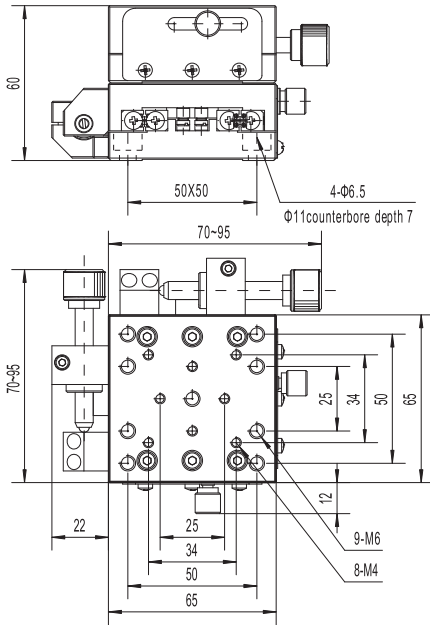


Specification:

- Axis: XY
- Travel: Tx, Ty: 25mm

Combination Products:

- PSM25-65SR 2PCS



**APSM25A-65RR**

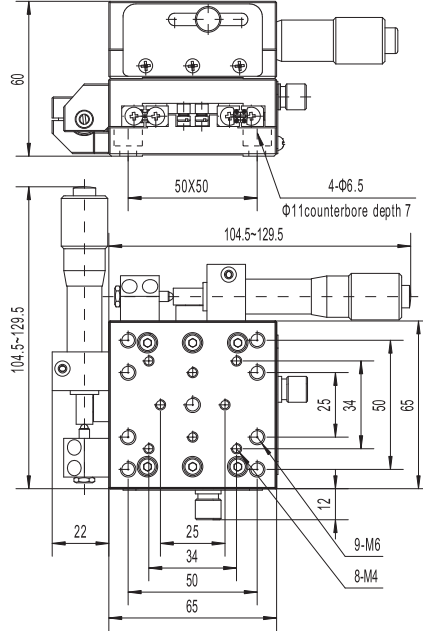


Specification:

- Axis: XY
- Travel: Tx, Ty: 25mm

Combination Products:

- PSM25A-65SR 2PCS



**APSM25-65RRZ**

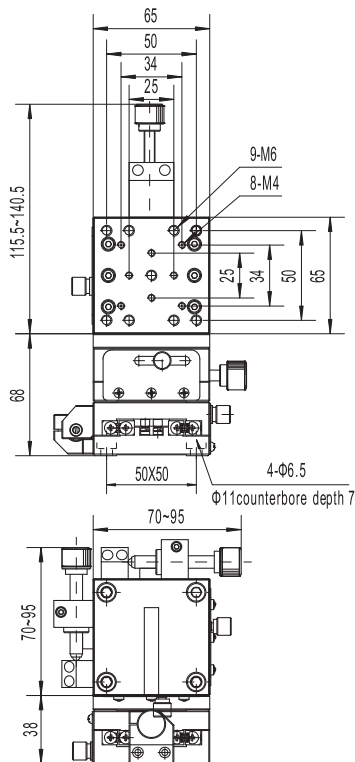


Specification:

- Axis: XYZ
- Travel: Tx, Ty, Tz: 25mm

Combination Products:

- PSM25-65SR 2PCS
- PSM25-65CZ 1PC
- PHOB-8 1PC



**APSM25A-65RRZ**

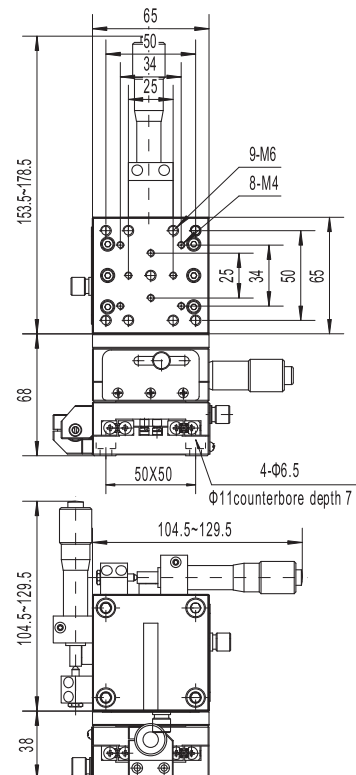


Specification:

- Axis: XYZ
- Travel: Tx, Ty, Tz: 25mm

Combination Products:

- PSM25A-65SR 2PCS
- PSM25A-65CZ 1PC
- PHOB-8 1PC



# TSM Series Ball Bearing Linear Stages

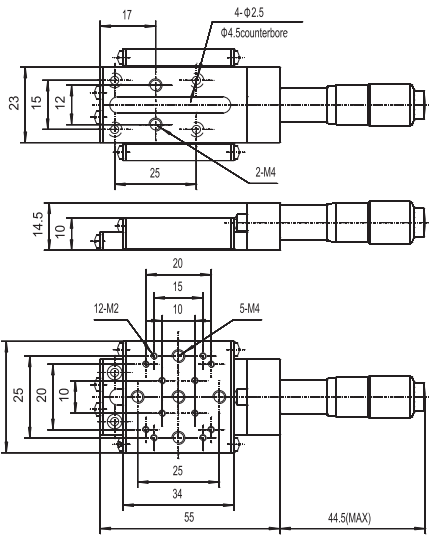
## TSM13 Ball Bearing Linear Stage, 13mm Travel, Sensitivity 3µm



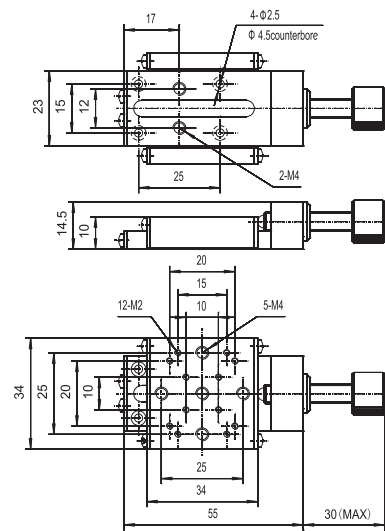
### Model Sheet:

Model	TSM13-1	TSM13-1A	TSM13-2	TSM13-2A
Travel(mm)	13			
Sensitivity(mm)	0.003			
Table Size(mm)	34×34			
Guide	Ball Bearing			
Drive	M6×0.25Screw(Micrometer)			
Min Scale(mm)	-	0.01	-	0.01
Load Capacity(Kg)	2			
Weight(Kg)	0.05	0.07	0.05	0.07

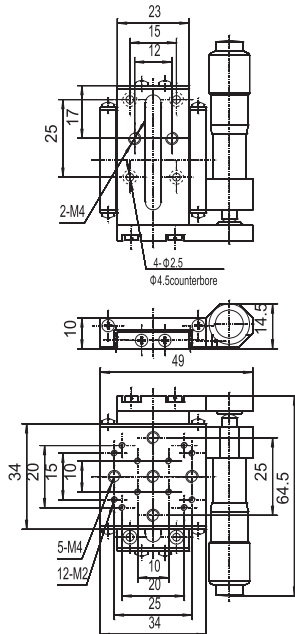
TSM13-1A ▶



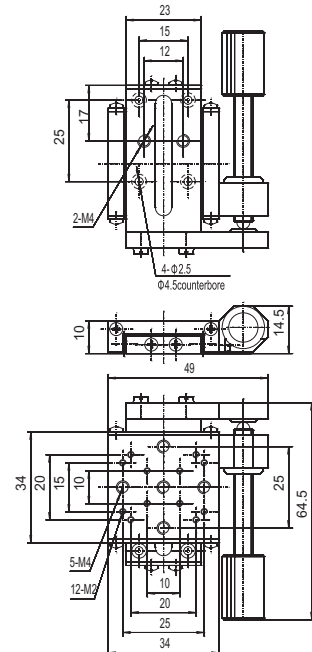
TSM13-1 ▶



TSM13-2A ▶

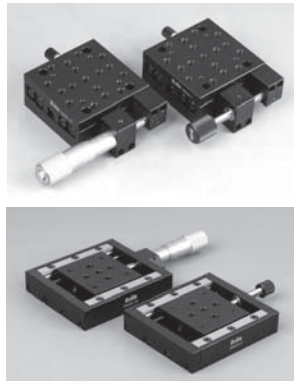


TSM13-2 ▶





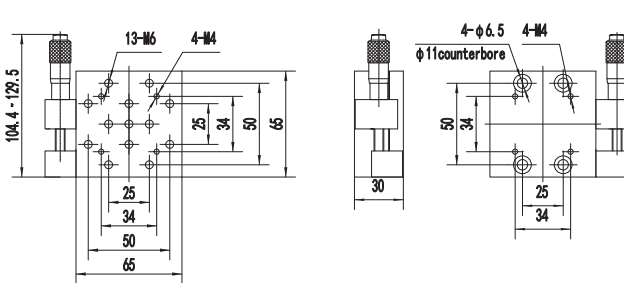
# TSM25 Ball Bearing Linear Stage, 25 Travel, Sensitivity 3µm



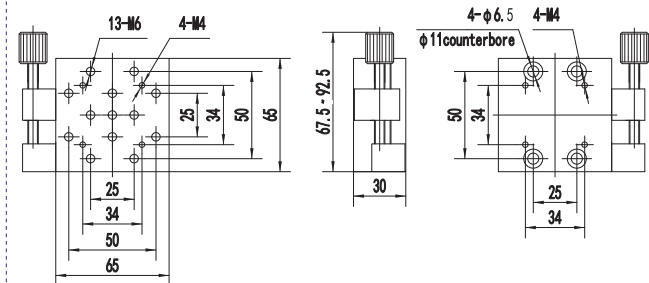
## Model Sheet:

Model	TSM25-1	TSM25-1A	TSM25-2	TSM25-2A
Travel(mm)	25			
Sensitivity(mm)	0.003			
Table Size(mm)	65×65		49×53	
Guide	Ball Bearing			
Drive	M6×0.25Screw(Micrometer)			
Min Scale(mm)	-	0.01	-	0.01
Load Capacity(Kg)	5			
Weight(Kg)	0.35	0.45	0.35	0.45

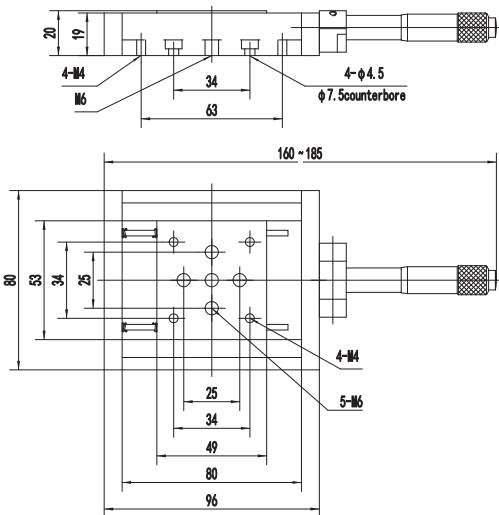
TSM25-1A ▼



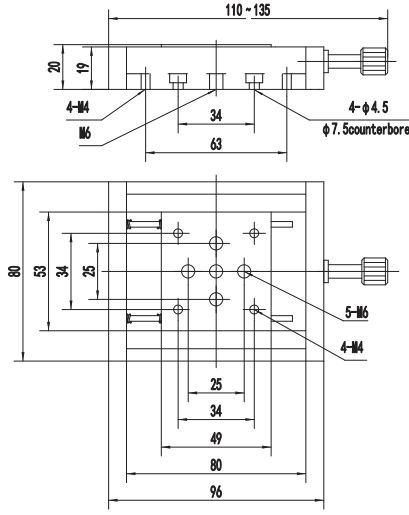
TSM25-1 ▼



TSM25-2A ▼



TSM25-2 ▼



Fiber Alignment Stages

Manual Linear Stages

Manual Vertical Stages

Manual Rotation Stages

Manual Goniometer/Tilt Stages

Combinated Stages

# TSMXXD Series Dovetail Bearing Linear Stages

## TSMxxD-1S Series Dovetail Bearing Linear Stage

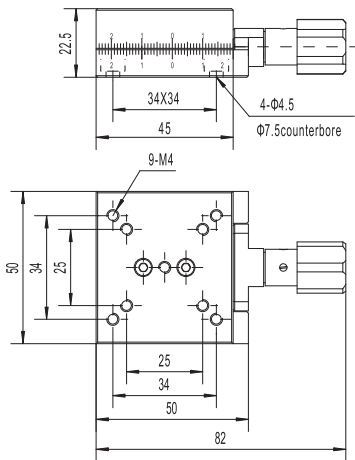


### Model Sheet:

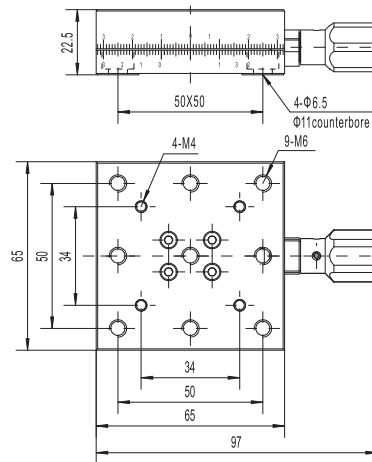
Model	TSM13D-1S	TSM25D-1S	TSM50D-1S	TSM125D-1S
Travel Range(mm)	13	25	50	125
Table Size (mm)	45x50	65x65	60x100	60x63
Bearings	Dovetail Bearing			
Drive	Screw	Screw	Screw	Screw
Min Readable	0.02	0.02	0.02	-
Load Capacity(Kg)	5	7	20	10
Weight	0.3	0.4	0.65	0.65

### Drawing:

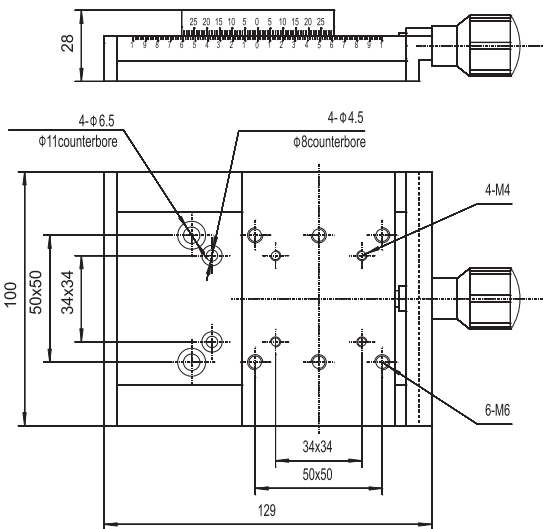
TSM13D-1S ▼



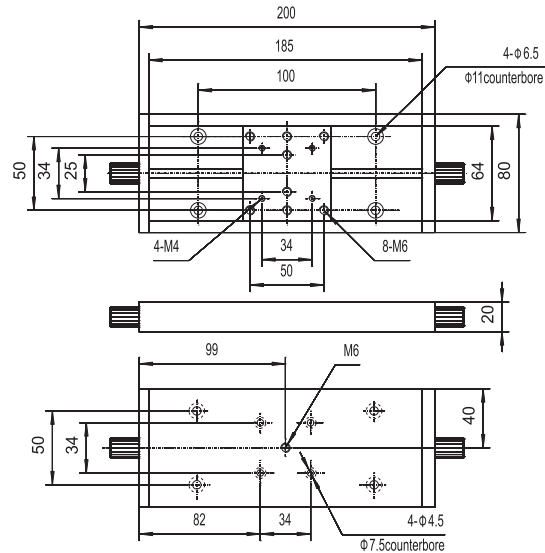
TSM25D-1S ▼



TSM50D-1S ▼



TSM125D-1S ▼



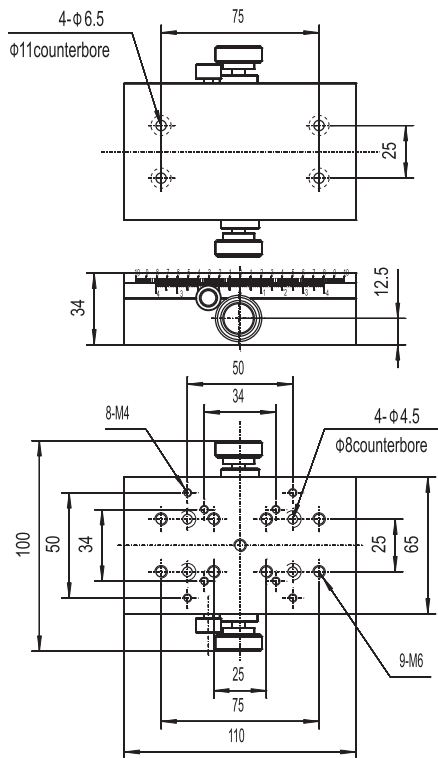
## TSM75D-1C Dovetail Bearing Linear Stage, 75mm Travel



### Specification:

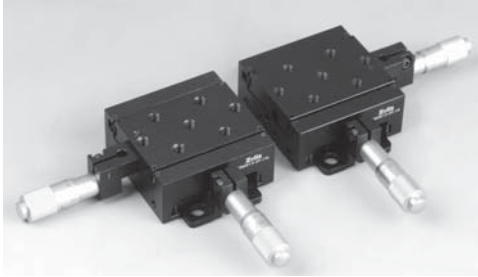
Travel Range(mm)	75
Table Size(mm)	65x110
Bearings	Dovetail Bearing
Drive	Rack and Pinion
Micrometer Position	Center
Cursor Readings(mm)	0.02
Max. Load Capacity(Kg)	20
Weight(Kg)	0.76

TSM75D-1C ▼



# Integrated Stages

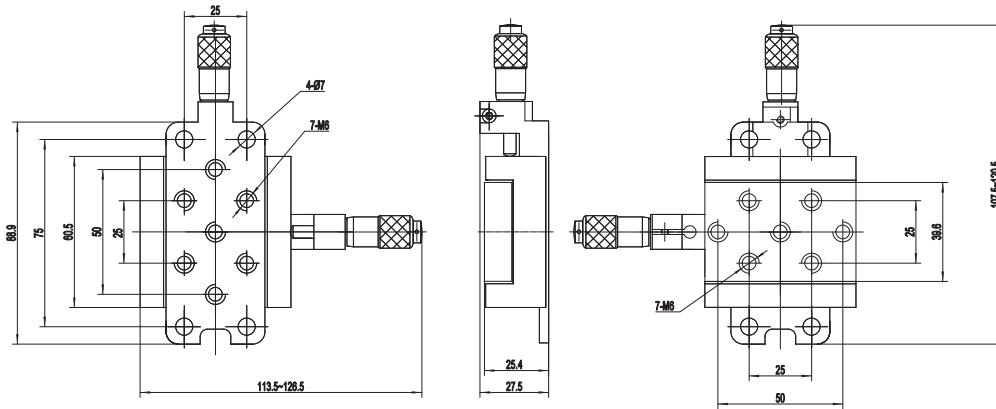
## TSMW13-XY-1A(L) Bearing Linear Stage, 13mm XY Travel



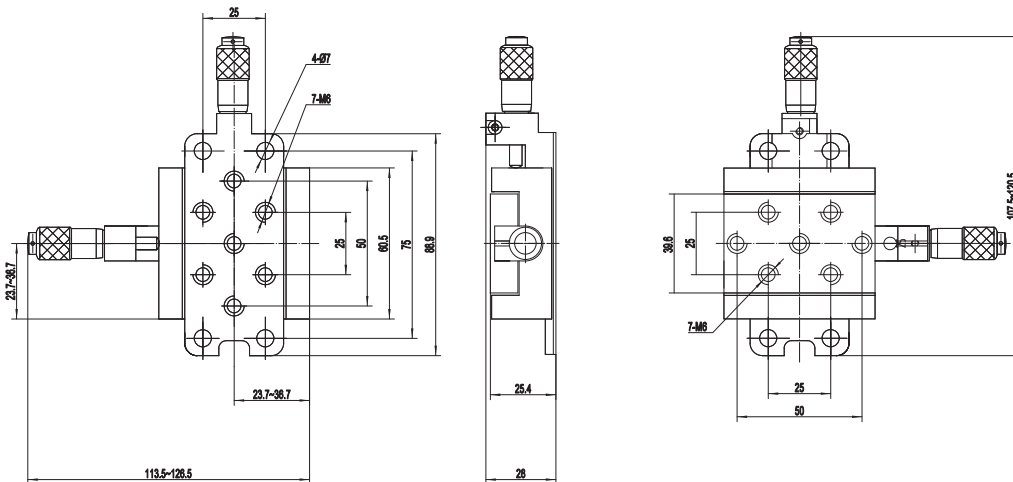
**Specification:**

Axes of Travel	XY
Travel Range (mm)	13
Drive	Micrometer
Min Scale(mm)	0.01
Sensitivity(mm)	0.003
Load Capacity(Kg)	7
Weight (Kg)	0.4

TSMW13-XY-1A ▼



TSMW13-XY-1AL ▼



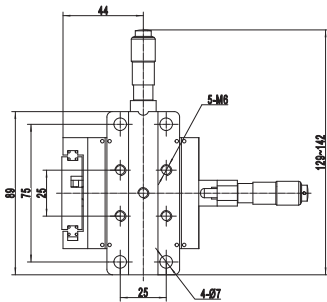
# TSMW13-XYZ-1A(L) Bearing Linear Stage, 13mm XYZ Travel



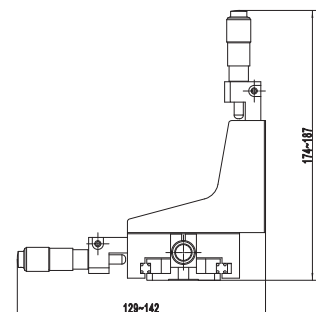
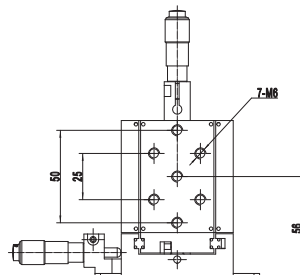
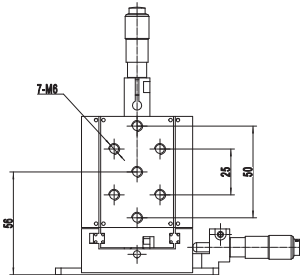
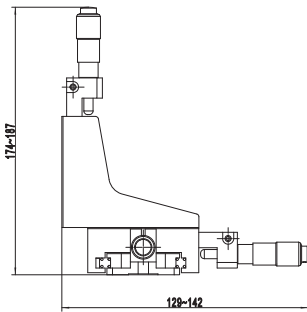
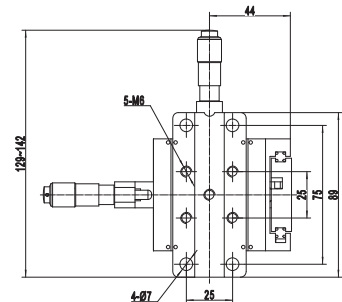
**Specification:**

Axes of Travel	XYZ
Travel Range(mm)	13
Drive	Micrometer
Min Readable	0.01
Sensitivity (mm)	0.003
Load Capacity (Kg)	2.5
Weight (Kg)	0.9

TSMW13-XYZ-1A ▼



TSMW13-XYZ-1AL ▼



Fiber Alignment Stages

Manual Linear Stages

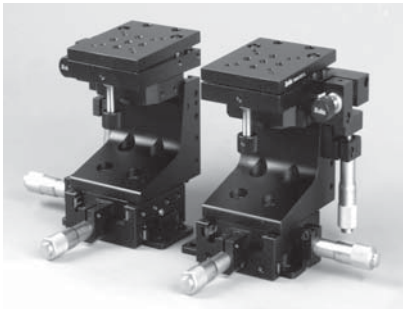
Manual Vertical Stages

Manual Rotation Stages

Manual Goniometer/Tilt Stages

Combinated Stages

# TSMW-XYZT-1A(L) Integrated Stage,5 Axes

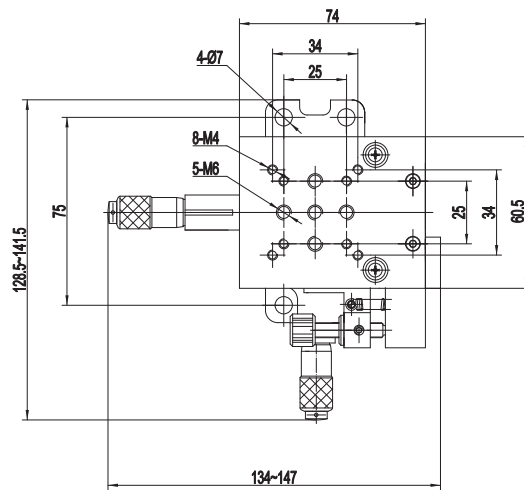
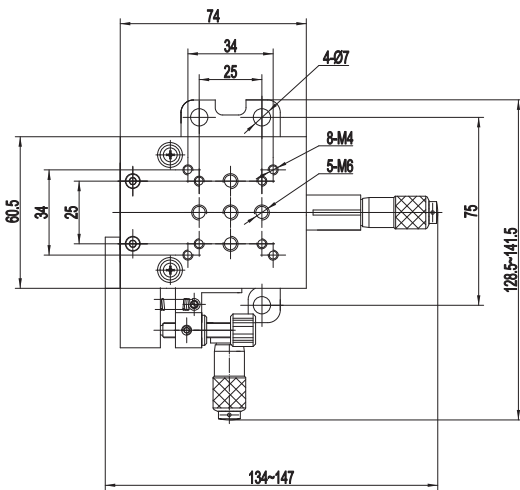
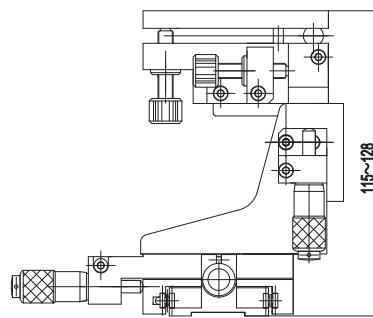
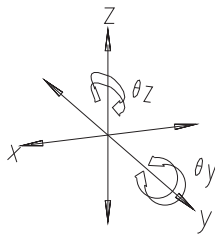
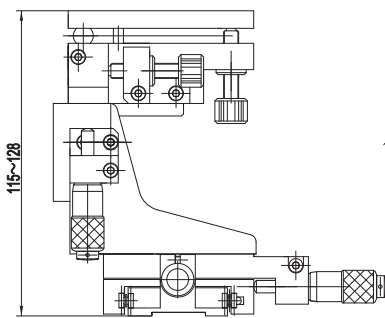


## Specification:

Axis	5
Travel	Tx、Ty、Tz:13mm, $\theta_y$ 、 $\theta_z$ : $\pm 5^\circ$
Drive	Micrometer(Screw)
Min Scale(mm)	0.01
Sensitivity(mm)	0.003
Load(Kg)	2.5
Weight(Kg)	1.35

TSMW-XYZT-1

TSMW-XYZT-1L





# ATSM Integrated Linear Stages

Fiber Alignment Stages

Manual Linear Stages

Manual Vertical Stages

Manual Rotation Stages

Manual Goniometer/Tilt Stages

Combined Stages

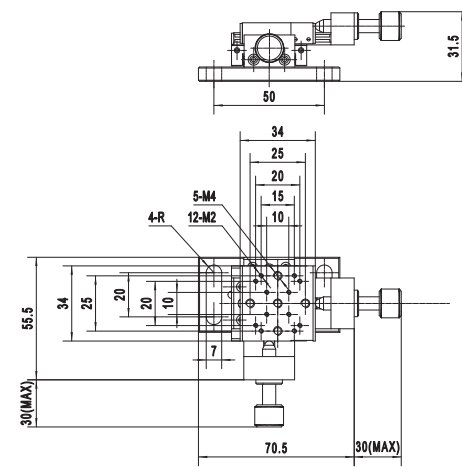


## ATSM13-XY-1(1A) Integrated Linear Stage, 13mm XY Travel

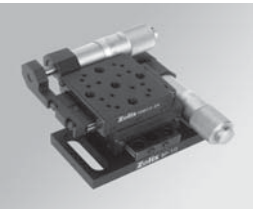
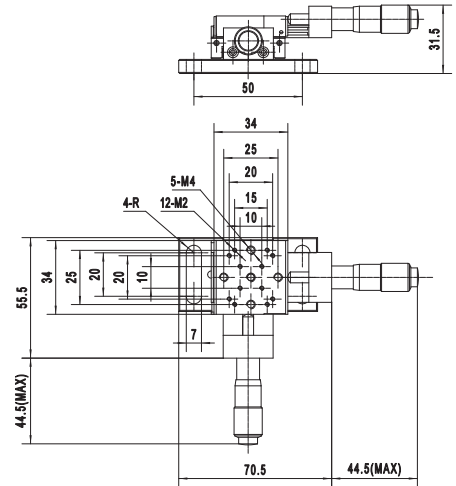
Specification:

- Axis: XY
- Travel: Tx、Ty:13mm
- Combination Products: TSM13-1(1A) 2PCS
- BP-10 1PC

ATSM13-XY-1



ATSM13-XY-1A

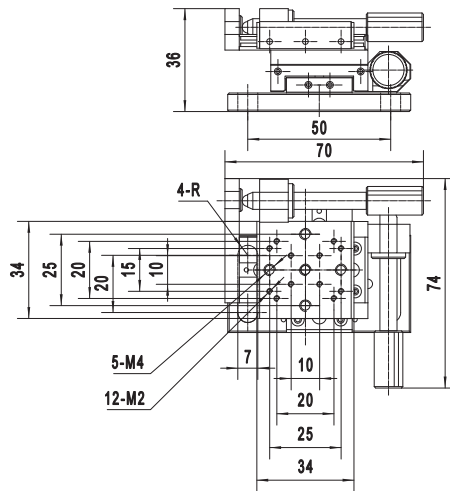


## ATSM13-XY-2(2A) Integrated Linear Stage, 13mm XY Travel

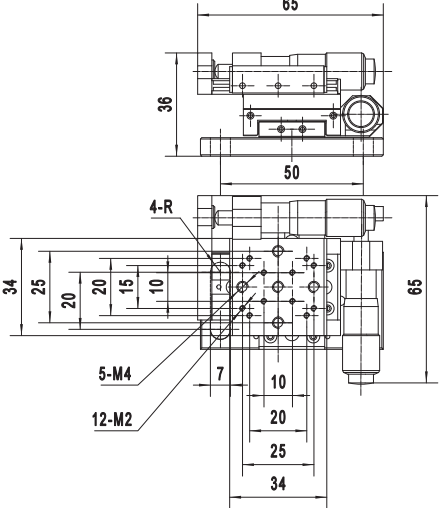
Specification:

- Axis: XY
- Travel: Tx、Ty:13mm
- Combination Products: TSM13-2(2A) 2PCS
- BP-10 1PC, BP-22 1PC

ATSM25-XY-1



ATSM25-XY-1A

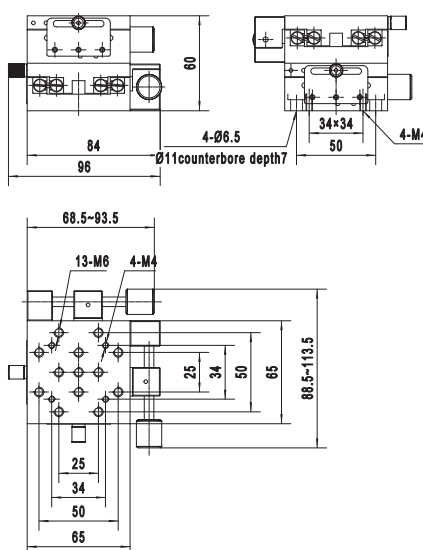


## ATSM25-XY-1(1A) Integrated Linear Stage, 25mm XY Travel

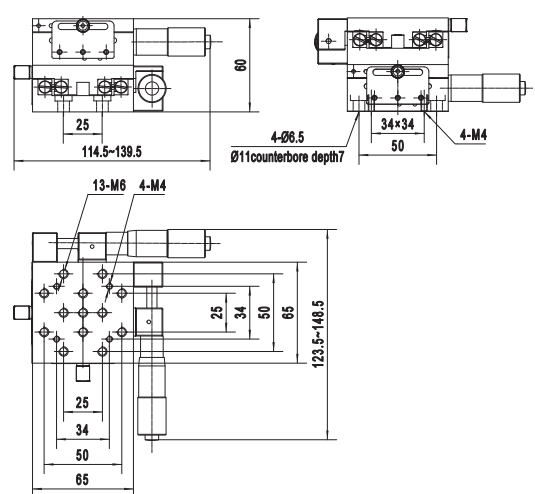
Specification:

- Axis: XY
- Travel: Tx、Ty:25mm
- Combination Products: TSM25-1(1A) 2PCS

ATSM25-XY-1

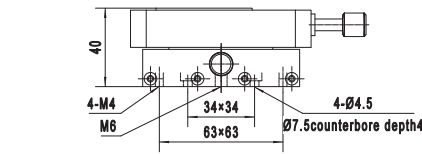


ATSM25-XY-1A

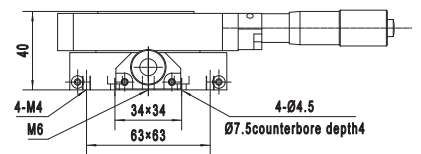




ATSM25-XY-2 ▼



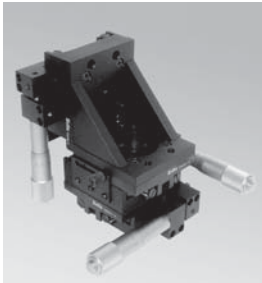
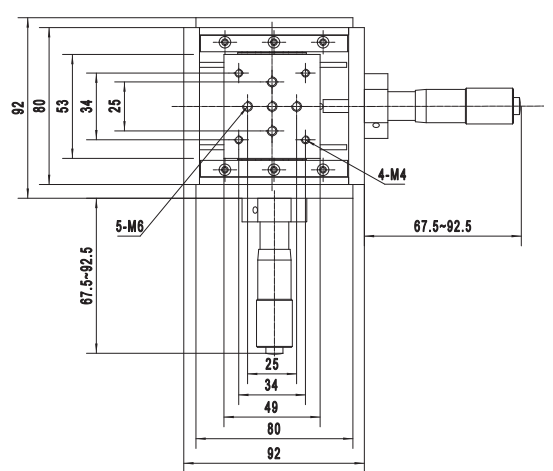
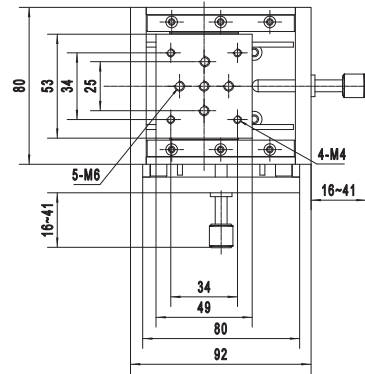
ATSM25-XY-2A ▼



**ATSM25-XY-2(2A) Integrated Linear Stage, 13mm XY Trave**

Specification:

- Axis: XY
- Travel: Tx、Ty:25mm
- Combination Products:: TSM25-2(2A) 2PCS



**ATSM25-XYZ-1(1A) Integrated Linear Stage, XYZ 25mm Travel**

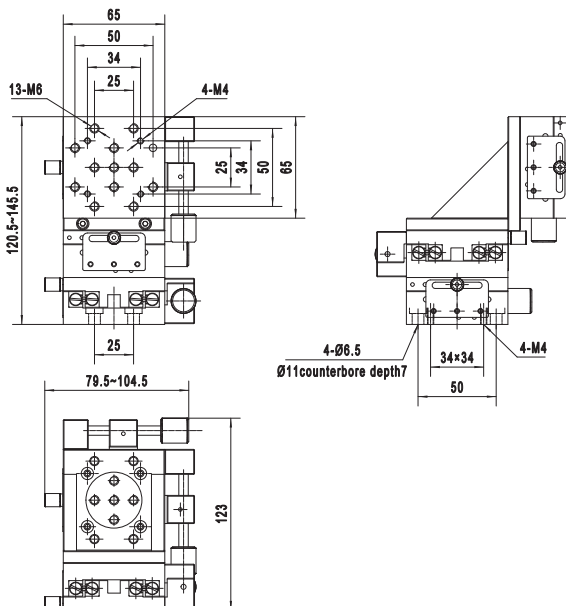
Specification:

- Axis: XYZ
- Travel: Tx、Ty、Tz:25mm

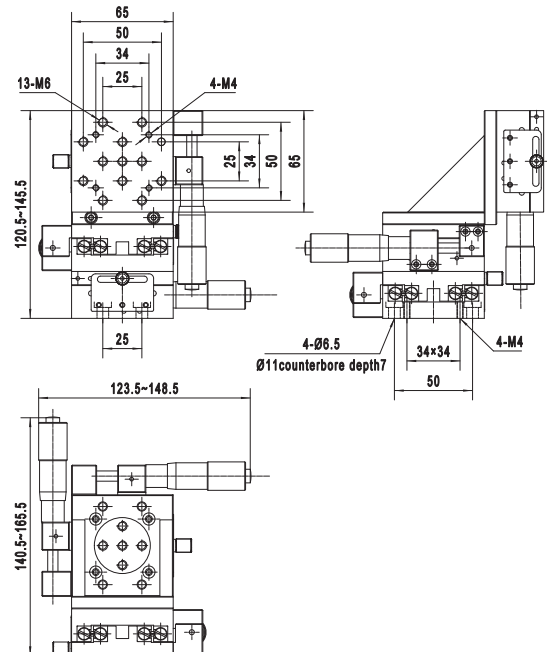
Combination Products::

- TSM25-1(1A) 3PCS
- PHOB-4 1PC

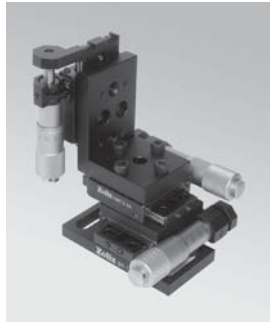
ATSM25-XYZ-1 ▼



ATSM25-XYZ-1A ▼







**ATSM13-XYZ-2(2A) Integrated Linear Stage, XYZ 25mm Travel**

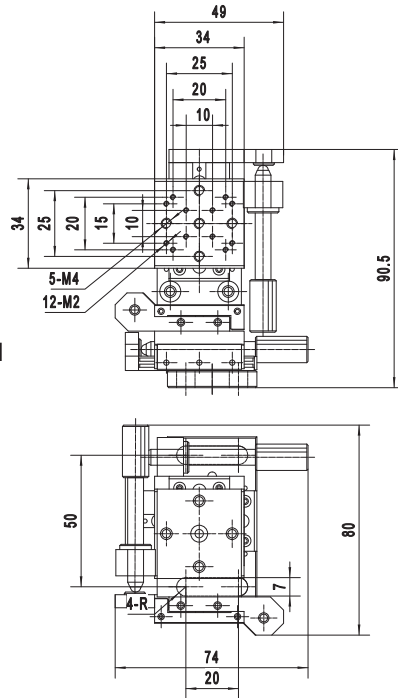
Specification:

- Axis: XYZ
- Travel: Tx、Ty、Tz:13mm

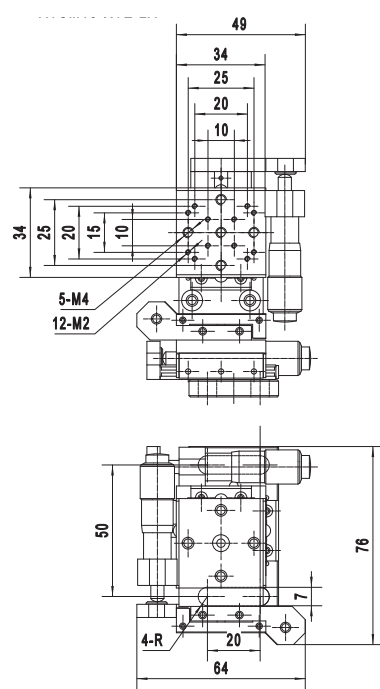
Combination Products::

- TSM13-2(2A) 3PCS
- PHOB-5 1PC
- BP-10 1PC
- BP-22 1PC

ATSM13-XYZ-2



ATSM13-XYZ-2A



**ATSM50-XY Integrated Linear Stage, XYZ 25mm Travel**

Specification:

- Axis: XY
- Travel: Tx、Ty:50mm
- Combination Products:: TSM50D-1S 2PCS



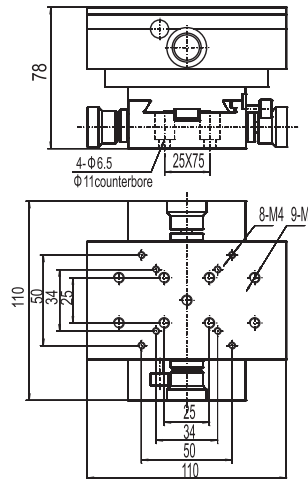
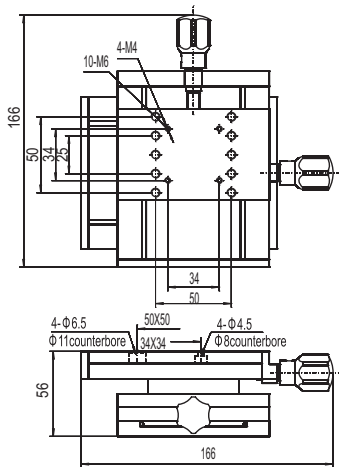
**ATSM75-XY Integrated Linear Stage, XYZ 25mm Travel**

Specification:

- Axis: XY
- Travel: Tx、Ty:75mm

Combination Products::

- TSM75D-1C 2PCS
- BP-28 1PC



## Vertical Positioners

### Selection Guide:

Series	Table Size(mm)	Travel(mm)	Sensitivity( $\mu\text{m}$ )	Drive
KSMV6A-40Z	40x40	6	2	Micrometer
KSMV13A-65Z	65x65	13	2	Micrometer
KSMV10A-90C	90x90	10	3	Micrometer
PSMV4-45C	45x45	4	<3	Screw
PSMV8-65C	65x65	8	<3	Screw
TSMV5-1A	64x50	5	3	Micrometer
TMSV13-1A	44x62	13	3	Micrometer
TSMV13-2A	44x62	13	3	Micrometer
TSMV60-1S	80x120	60	-	Screw
TSMV120-1S	140x220	120	-	Screw

Fiber Alignment Stages

Manual Linear Stages

Manual Vertical Stages

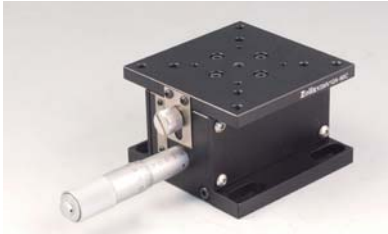
Manual Rotation Stages

Manual Goniometer/Tilt Stages

Combinated Stages

# KSMV Series High Precision Crossed-Roller Vertical Stages

## KSMV10A-90C



### Model Sheet:

Model	KSMV6A-40Z	KSMV13A-65Z	KSMV10A-90C
Travel (mm)	6	13	10
Range(mm)			
Travel(mm)	2	65×65	40×40
Table Size(mm)	40x40	65x65	90x90
Drive	Micrometer		
Bearings	Crossed-Roll Bearing		
Load Capacity(Kg)	2	3	4
Weight(Kg)	0.14	0.44	1.04

## KSMV13A-65Z

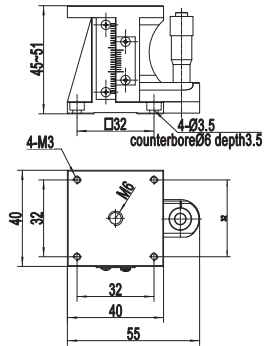


## KSMV6A-40Z

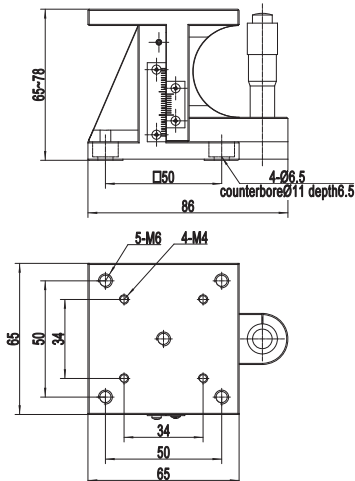


### Drawing:

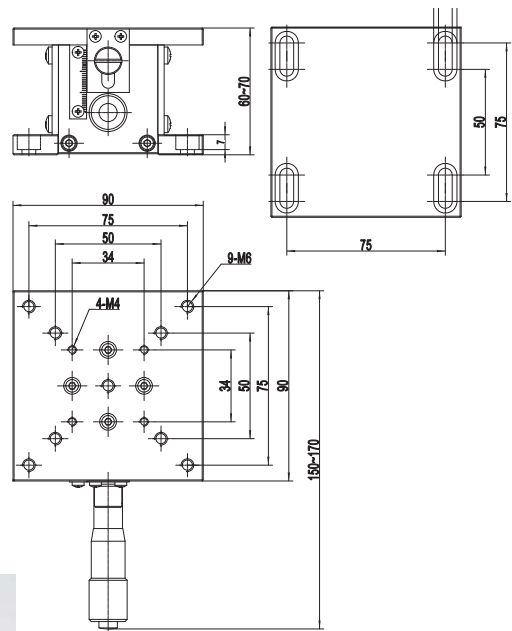
KSMV6A-40Z ▼



KSMV13A-65Z ▼



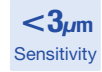
KSMV10A-90C ▼



### Application:



## PSMV Series High Precision Ball Bearing Vertical Stages

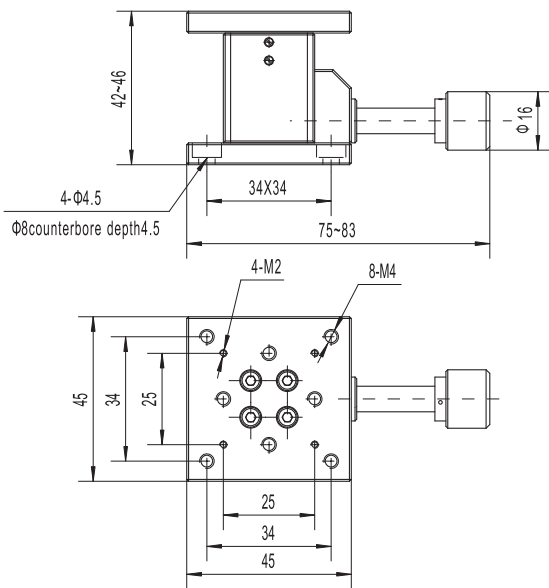


### Model Sheet:

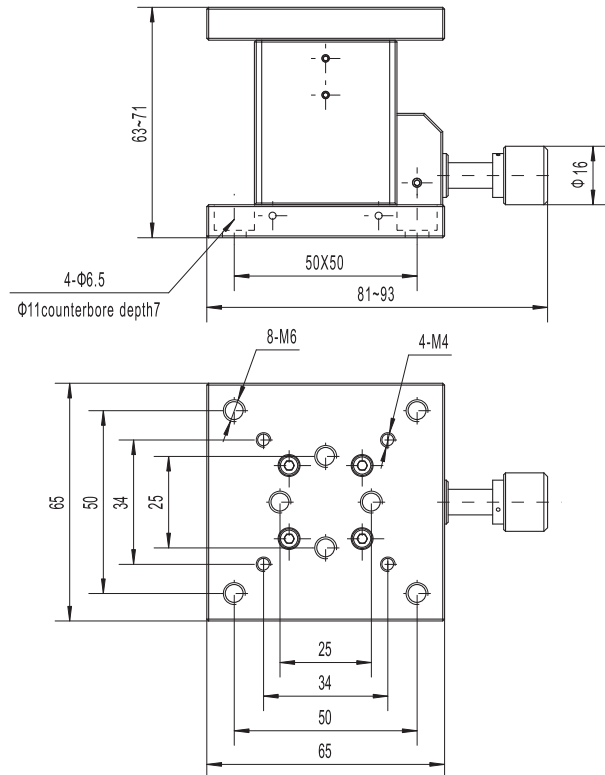
Model	PSMV4-45C	PSMV8-65C
Material	Al alloy	Al alloy
Travel(mm)	4	8
Sensitivity (mm)	<math><0.003</math>	<math><0.003</math>
Table Size (mm)	45x45	65x65
Drive	Screw	Screw
Load Capacity (Kg)	3	5

### Drawing:

PSMV4-45C ▼



PSMV8-65C ▼

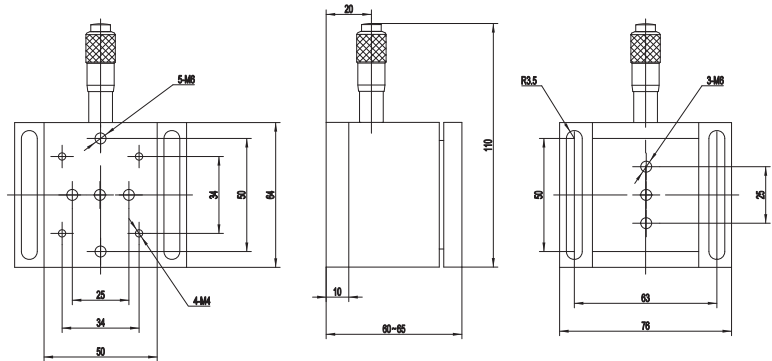


## TSMV5-1A Precision Ball Bearing Vertical Stage, 5mm Travel



### Specification:

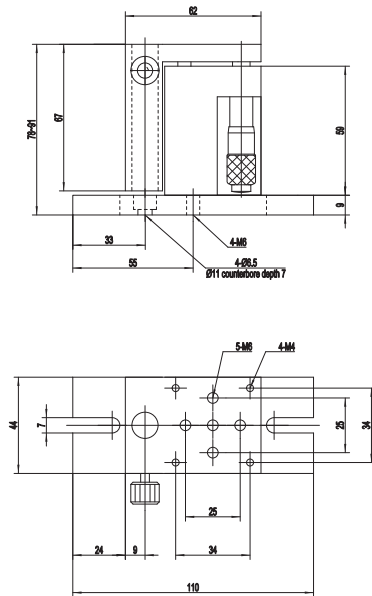
Model	TSMV5-1A
Travel Range (mm)	5
Sensitivity (mm)	0.003
Drive	Micrometer
Min Scale	0.01mm
Table Size (mm)	64x50
Load Capacity(Kg)	10
Weight (Kg)	0.6



## TSMV13-1A Precision Ball Bearing Vertical Stage, 13mm Travel



### Drawing:

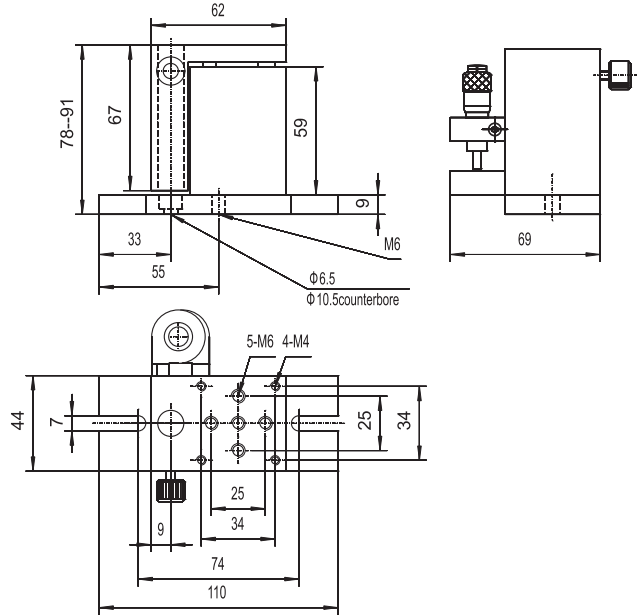


### Specification:

Travel Range(mm)	13
Sensitivity (mm)	0.003
Min Scale (mm)	0.01
Table Size (mm)	44x62
Load Capacity (Kg)	2
Weight(Kg)	0.6



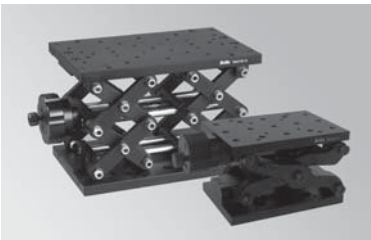
## TSMV13-2A Precision Ball Bearing Vertical Stage, 13mm Travel



### Specification:

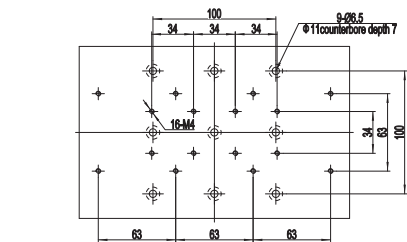
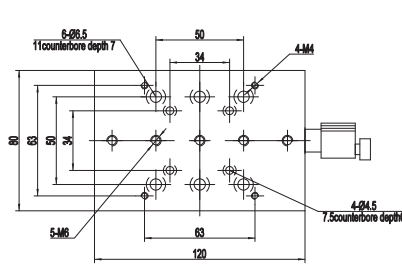
Travel Range(mm)	13
Sensitivity (mm)	0.003
Min Scale(mm)	0.01
Table Size (mm)	44x62
Load Capacity (Kg)	2
Weight (Kg)	0.6

## TSMV60-1S High Load Lab Jack, 80x120mm, 20Kg Load Capacity



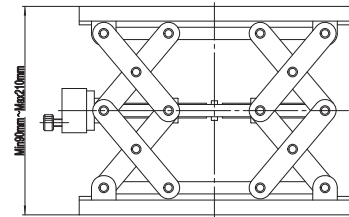
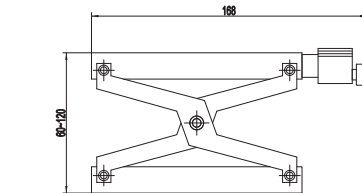
Drawing: TSMV60-1S

TSMV120-1S



### Model Sheet:

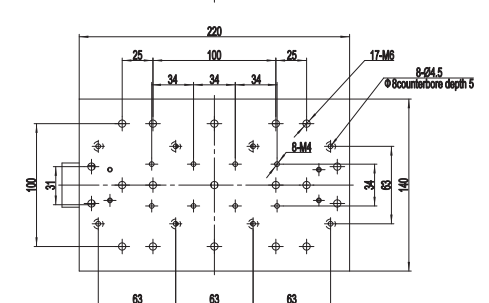
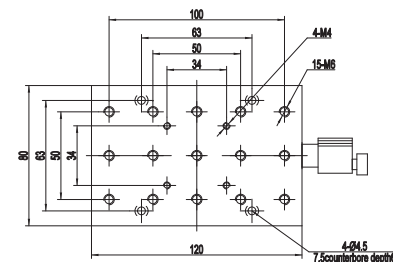
	TSMV60-1S
Travel Range(mm)	60
Drive	Screw
Resolution(mm)	0.01
Table Size (mm)	80x120
Load Capacity(Kg)	20
Weight(Kg)	1.15



## TSMV120-1S High Load Lab Jack, 140x220mm, 25Kg Load Capacity

### Model Sheet:

	TSMV120-1S
Travel Range(mm)	120
Drive	Screw
Resolution(mm)	0.01
Table Size (mm)	140x220
Load Capacity(Kg)	30
Weight(Kg)	1.85



# Rotation Stages

## Selection Guide:

Series	Table Diameter(mm)	Bearing Type	Base Material	Sensitivity( $\mu\text{m}$ )	Drive Mode
NFPR	R&D	Crossed-Roller	304 Stainless Steel	-	Micrometer(Coarse/Fine)
KSMR5A-100	100	Crossed-Roller	Al Alloy	4	
KSMR5A-120	120	Crossed-Roller		4	
PSMR	R&D	Ball Bearing		-	Micrometer/Screw(Coarse/Fine)
RSM56-1	56	Steel Ball		None	Screw(Coarse/Fine)
RSM73-1	73	Steel Ball		-	Screw(Coarse/Fine)
RSM82-1/1A	82	Steel Ball		-	Micrometer/Screw(Coarse/Fine)
RSM50-C	50	Gear Type		Coarse	-
RSM100-1W	100	Ball Bearing		-	Worm&Gear

## KSMR Series High Performance Rotation Stages



### Application:

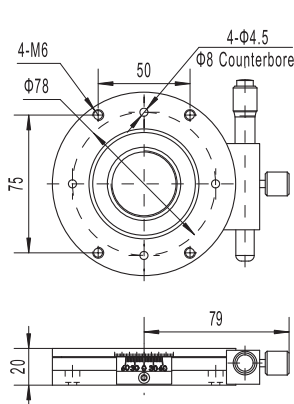


### Model Sheet:

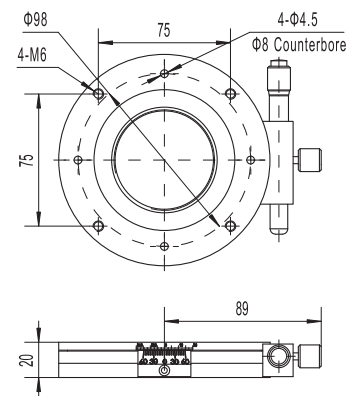
Model	KSMR5A-100	KSMR5A-120
Material	Aluminum	Aluminum
Table Diameter(mm)	100	120
Coarse Range( $^{\circ}$ )	360	360
Fine Range( $^{\circ}$ )	$\pm 5$	$\pm 5$
Sensitivity( $''$ )	4	4
Min Scale( $'$ )	5	5
Drive	Micrometer	Micrometer
Runout( $\mu\text{m}$ )	<30	<30
Load Capacity(Kg)	<10	<10

### Drawing:

KSMR5A-100

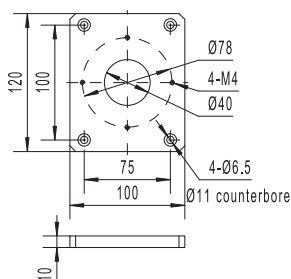


KSMR5A-120

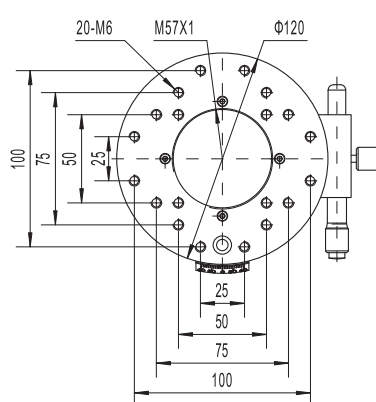
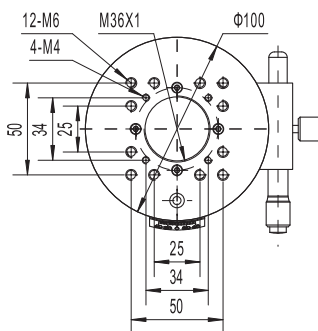
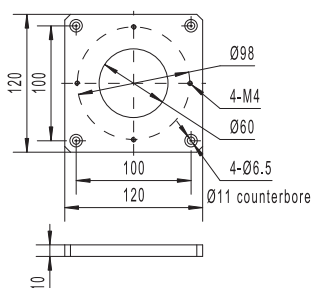


### KSMR5A Base

KSMR5A-100-1F



KSMR5A-120-1F



# PSMR Series Precision Rotation Stages



PSMR45A ▲



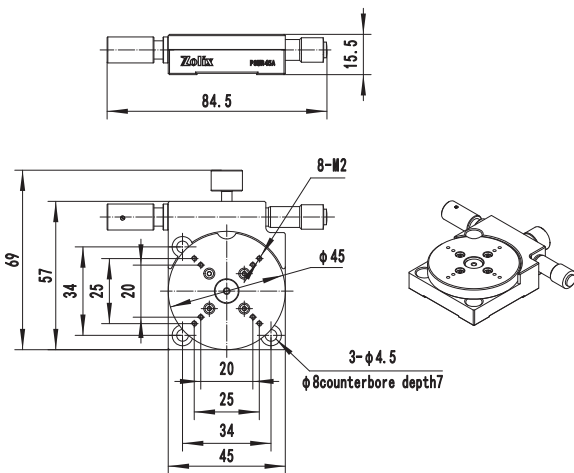
PSMR65A ▲

## Model Sheet:

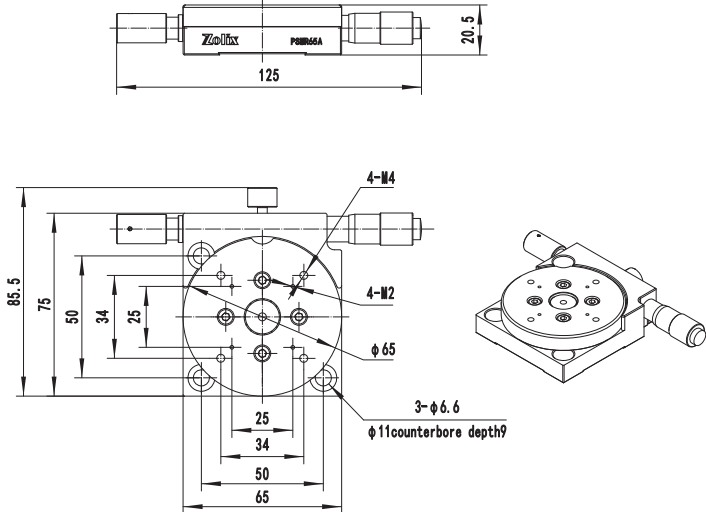
Model	PSMR45A	PSMR65A
Material	Aluminum	
Table Diameter(mm)	45	65
Corase Range(°)	360	
Fine Range(°)	5	
Sensitivity(')*	≈1.23	≈0.94
Min Scale(°)	1	
MicrometerMin Scale(mm)	0.01	
Driver	Micrometer	
Runout(mm)	<0.1	
水平中心Load(Kg)	2	3

## Drawing:

PSMR45A ▼



PSMR65A ▼





## RSM Series Standard Performance Rotation Stages

### RSM56-1/73-1/82-1(A) Rotation Stage, 360° Coarse, Micrometer, 56/73/82mm Diameter



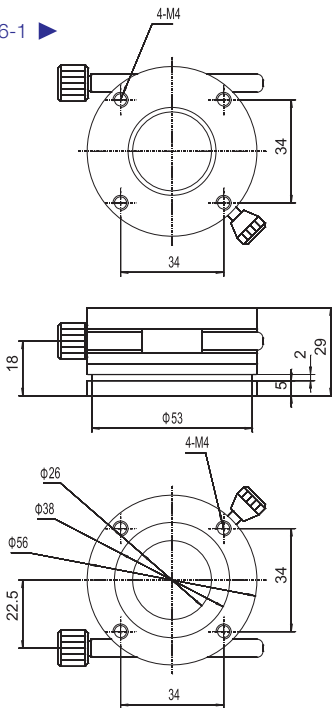
RSM56-1 ▲ RSM73-1 ▲



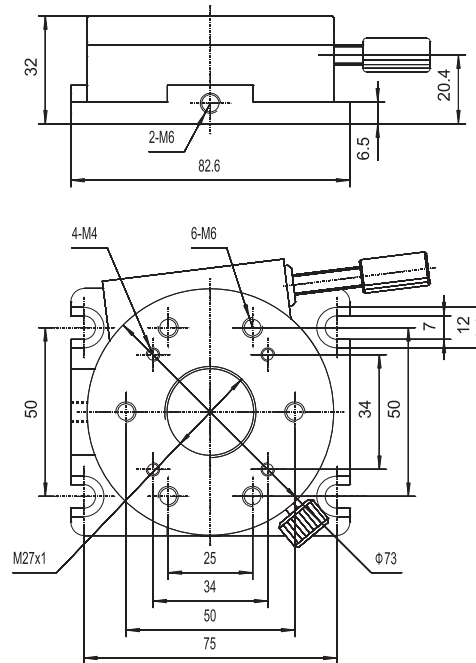
RSM82-1 ▲ RSM82-1A ▲

Model	RSM82-1	RSM82-1A	RSM73-1	RSM56-1
Table Size (mm)	82	82	73	56
Coarse Range (°)	360	360	360	360
Fine Range (°)	±10	±10	±2.5	±3
Min Ruled (°)	1	1	1	2
Min Scale(')	2	2	5	0.2
Aperture Diameter(mm)	-	-	M27X1	26
Load Capacity(Kg)	5	5	5	2
Weight (Kg)	0.48	0.5	0.35	0.15

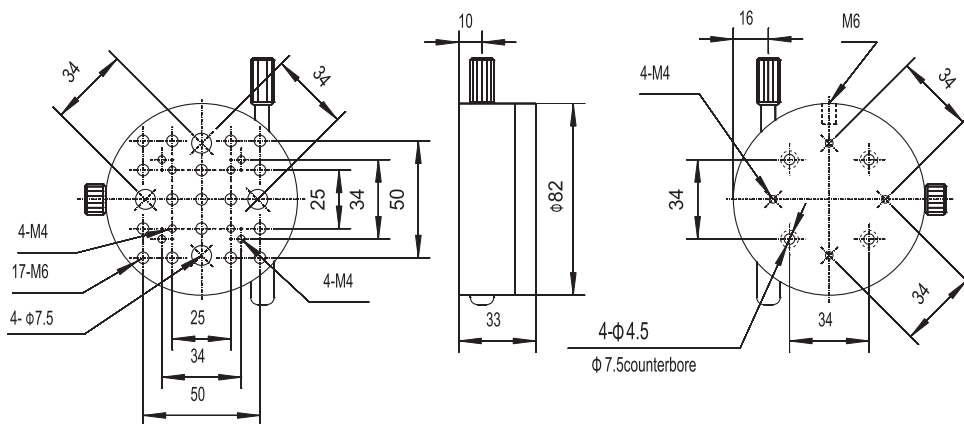
RSM56-1 ▶



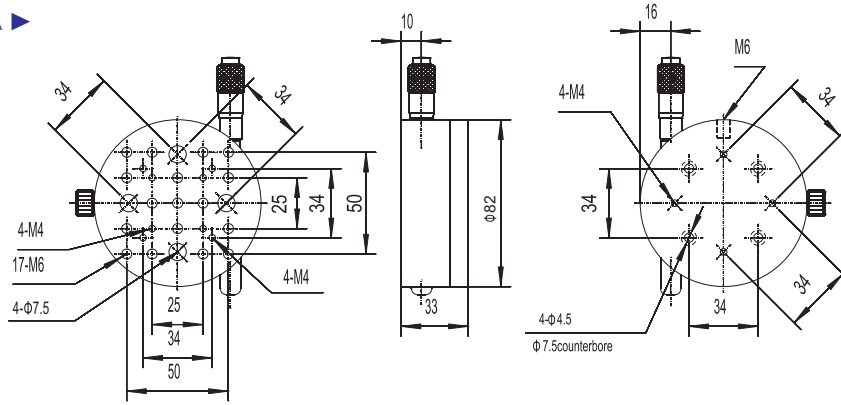
RSM73-1 ▶



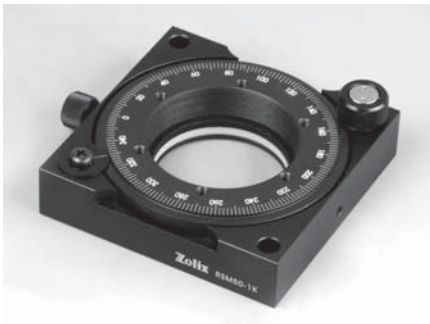
RSM82-1 ▶



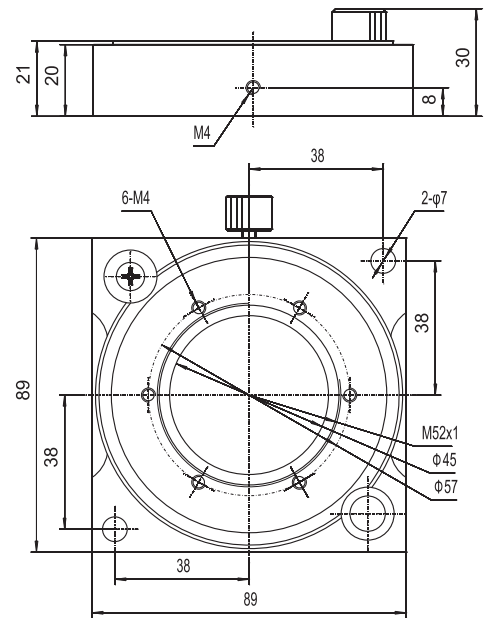
RSM82-1A ▶



### RSM50-1K Rotation Stage, 360° Coarse, Micrometer, 56/73/82mm Diameter



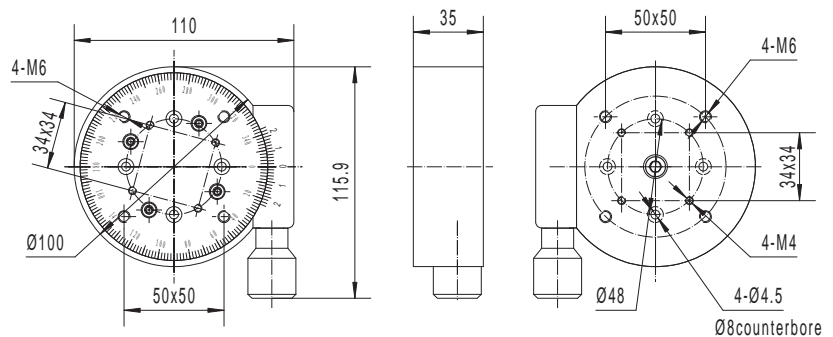
Model	RSM50-1K
Aperture Diameter(mm)	50
Coarse(°)	360
Min Scale(°)	2
Weight(Kg)	0.35



### RSM100-1W Rotation Stage, 360° Coarse, 100mm Diameter



Drawing:



Specification:

Diameter(mm)	100
Coarse(°)	360
Min Scale(°)	1
Load(Kg)	15
Weight(Kg)	0.85

# Goniometer Stages

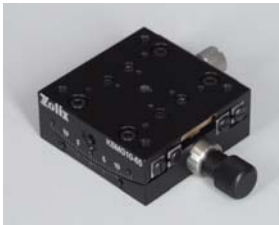
## KSMG High Precision Goniometer, 40x50mm/65x65mm, ±10/15° Travel



KSMG10-40 ▲



KSMG15-40 ▲



KSMG10-65 ▲



KSMG15-65 ▲



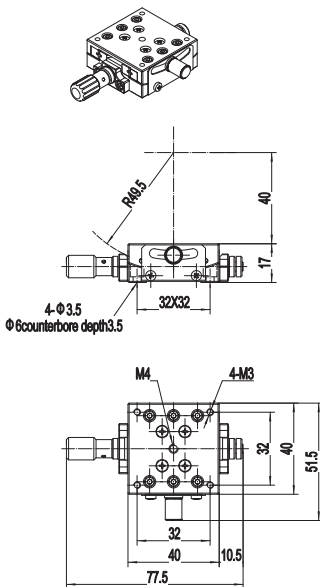
Model	KSMG10-40	KSMG15-40	KSMG10-65	KSMG15-65
Rotation Angle(°)	±10	±15	±10	±15
Table Dimension(mm)	40×40		65×65	
Rotation Center Height(mm)	57	40	75.5	50
Accuracy(μm)	<60		<40	
Ratio	320:1	235:1	352:1	252:1
Min Scale(°)	0.1		0.1	
Load(Kg)	5		10	
Weight(Kg)	0.1		0.4	

### Combination

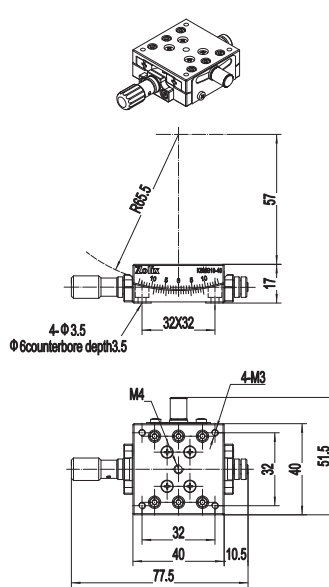


### Drawing:

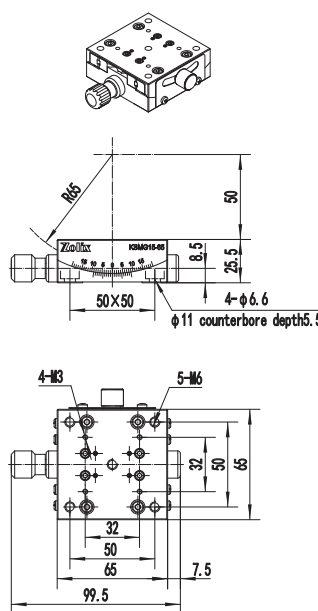
KSMG15-40 ▼



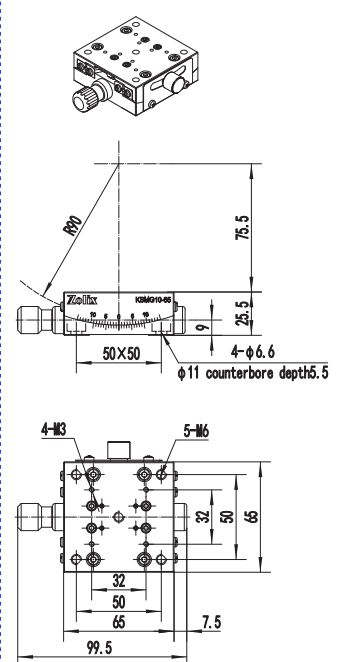
KSMG10-40 ▼



KSMG15-65 ▼



KSMG10-65 ▼

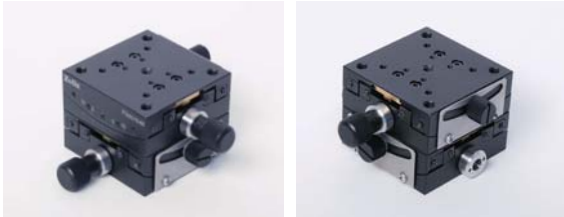


# PSMG High Precision Goniometer, 65x65mm, 75.5/50mm Rotation Axis Height, $\pm 10/15^\circ$ Travel



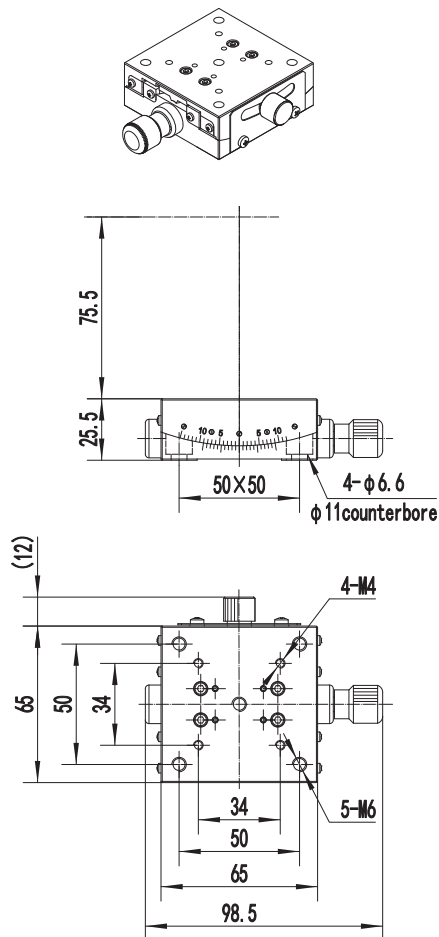
Model	PSMG10-65	PSAG15-65
Rotation Angle(°)	$\pm 10^\circ$	$\pm 15^\circ$
Table Dimension(mm)	65×65	
Rotation Center Height(mm)	75.5	50
Min Scale(°)		0.1
Accuracy(mm)		0.2
Load(Kg)		2

## Combination

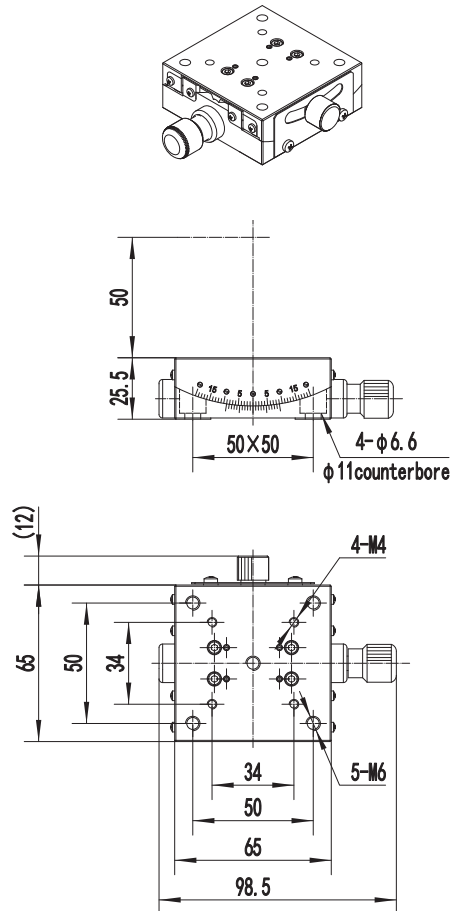


## Drawing:

PSMG10-65 ▼



PSMG15-65 ▼

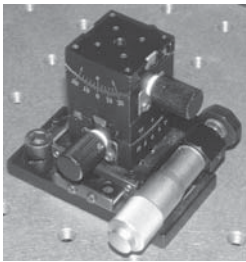


# TSMG30-W/TSMG15-W Lower Goniometer, 25x25x20mm, 12.5/32.5 Rotation Axis Height, ±30/15° Travel

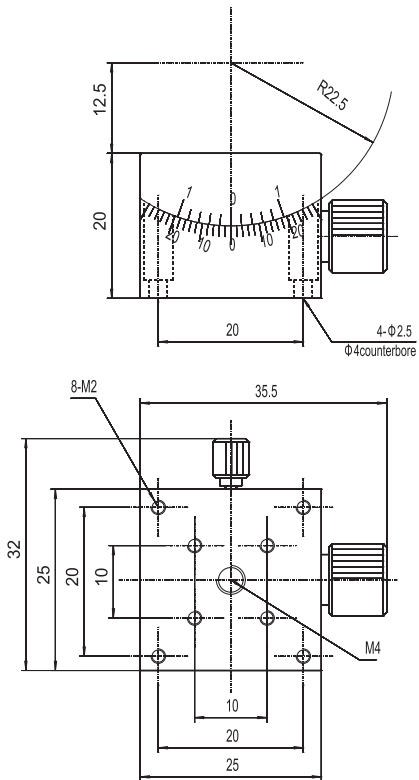


	Table Dimension(mm)	Rotation Angle	Rotation Center Height	Min Scale(°)	Load Capacity(kg)
TSMG15-W	25x25	+/-15°	32.5	0.1	1
TSMG30-W	25x25	+/-30°	12.5	0.2	1

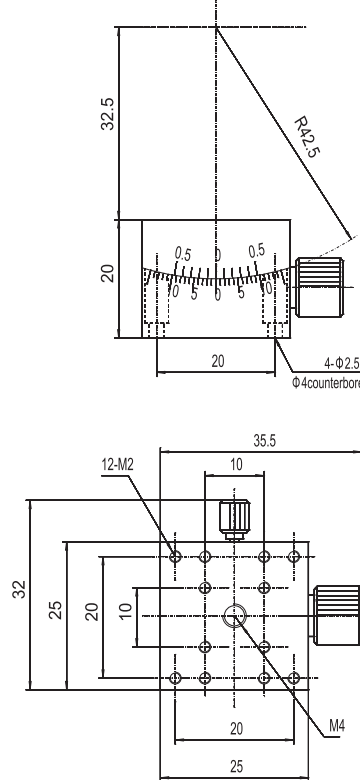
## Application



TSMG30-W ▼



TSMG15-W ▼



Fiber Alignment Stages

Manual Linear Stages

Manual Vertical Stages

Manual Rotation Stages

Manual Goniometer/Tilt Stages

Combinated Stages

# TSMG10-1/2W Upper Goniometer, 65x65x24mm, 100/76 Rotation Axis Height, ±10° Travel



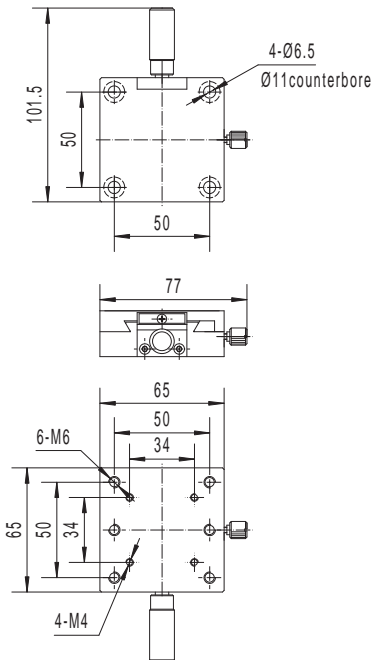
### Specification:

	Table Dimension(mm)	Rotation Angle	Rotation Center Height	Min Scale(°)	Load Capacity(Kg)
TSMG10-1W	65x65	+/-10°	100	5	2
TSMG10-2W	65x65	+/-10°	76	5	2

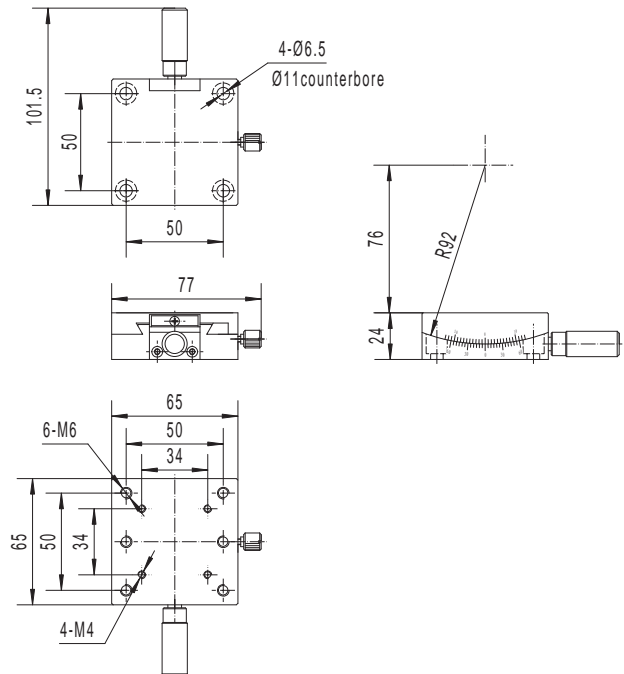
### Application



TSMG10-1W ▼



TSMG10-2W ▼



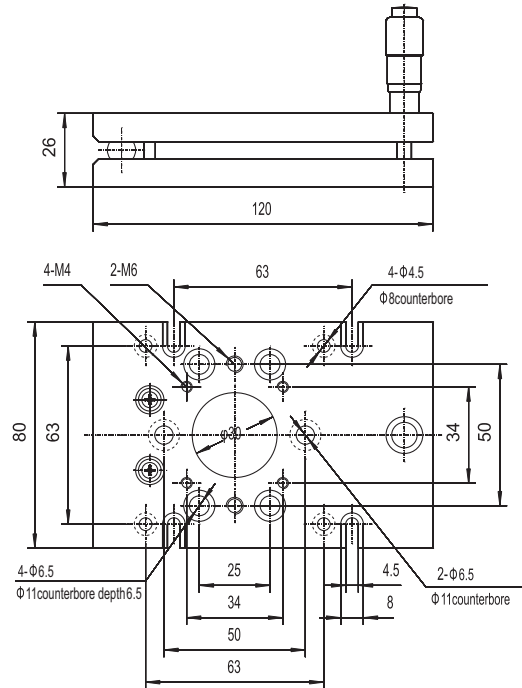
## Multi-Axis Tilt Platforms

### TSMT3-1A Tilt Platform, $\pm 3^\circ$ Tilt, Single Axis, Micrometer

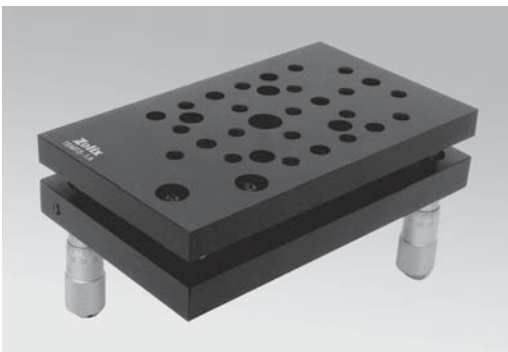


**Specification:**

Adjust Range	$\pm 3$
Weight	0.5kg
Weight(Kg)	0.5
Aperture(mm)	30

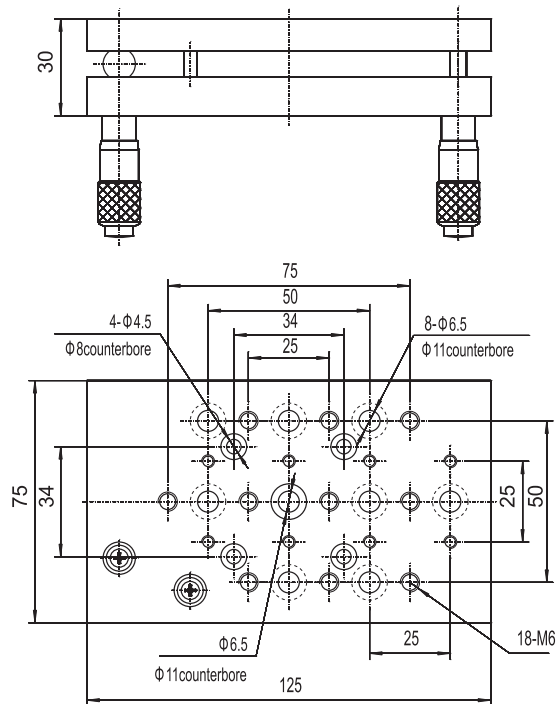


### TSMT5-1A Tilt Platform, $\pm 5^\circ$ Tilt, 2 axis, Micrometers



**Specification:**

Adjustment Range	$\pm 5^\circ$
Axes of Travel	Two Axes Platforms
Weight (Kg)	0.5



Fiber Alignment Stages

Manual Linear Stages

Manual Vertical Stages

Manual Rotation Stages

Manual Goniometer/Tilt Stages

Combinated Stages

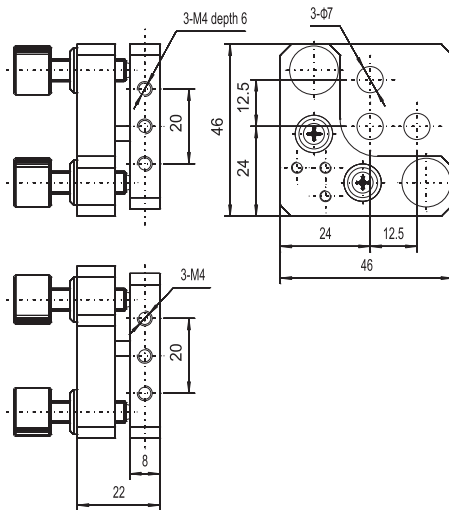
## TSMT5-2/3 Tilt Platform, $\pm 3^\circ$ Tilt, 2 axis, Screws



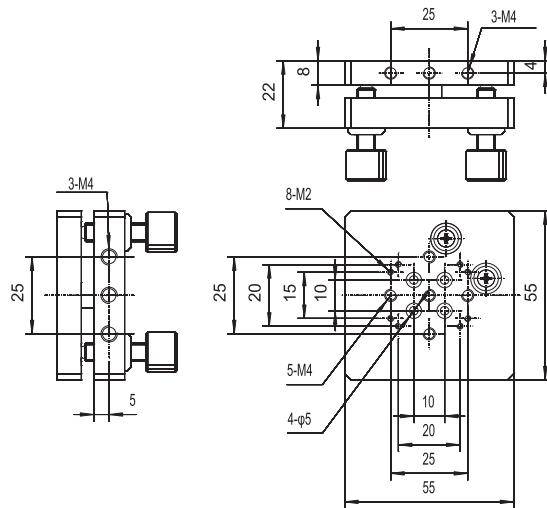
### Specification:

Angle( $^\circ$ )	$\pm 3$
Axis	Axes
Weight(Kg)	0.1

TSMT5-2 ▼



TSMT5-3 ▼

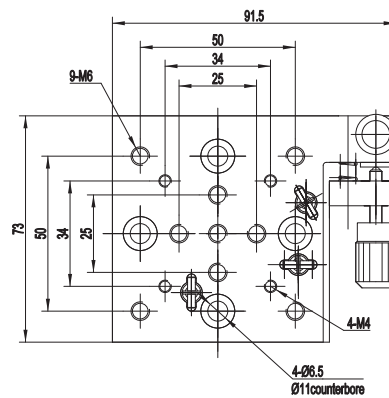
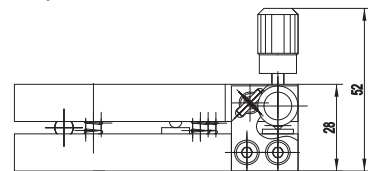


## TSMT-4 Tilt & Rotation Platform, $\pm 4^\circ$ Tilt, $\pm 2.5^\circ$ Rotate, Screws



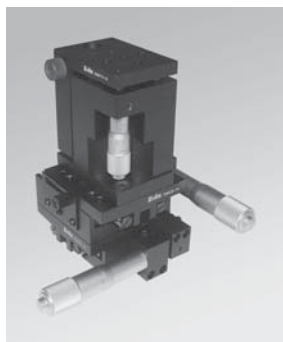
### Specification:

Adjustment Range	$\pm 4^\circ$
Axes Platforms	Two Axes Platforms
Rotation Angle	$\pm 2.5^\circ$
Weight(Kg)	0.3





## ASM Combination Stages



### ASM-XYZ-1A

**Specification:**

- Axis: XYZ
- Travel: Tx、Ty:25mm, Tz:13mm

**Combination Products::**

- TSM25-1A 2PCS
- TSMV13-1A 1PC



### ASM-XYZ-2A

**Specification:**

- Axis: XYZ
- Travel: Tx、Ty:25mm, Tz:5mm

**Combination Products::**

- TSM25-1A 2PCS
- TSMV5-1A 1PC
- BP-11 1PC



### ASM-XYθ-1A

**Specification:**

- Axis: XYθ
- Travel: Tx、Ty:25mm, θz:360°

**Combination Products::**

- TSM25-1A 2PCS
- RSM82-1A 1PC



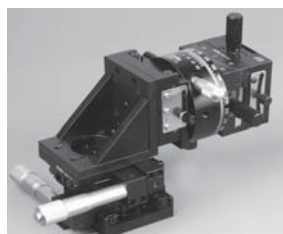
### ASM-XYZθT-1A

**Specification:**

- Axis: XYZ, θx、θy、θz
- Travel: Tx、Ty:25mm, Tz:5mm, θz:360°, θx、θy:两维±5°

**Combination Products::**

- TSM25-1A 2PCS
- TSMV5-1A 1PC
- RSM82-1A 1PC
- TSMT5-1ADouble Axis 1PC
- BP-1 1PC



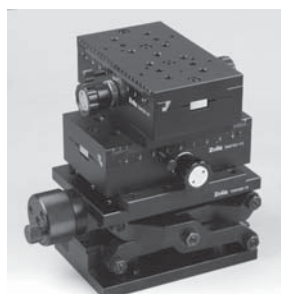
### ASM25XYZ-RG2

**Specification:**

- Axis: XYZ, θx、θy、θz
- Travel: Tx、Ty、Tz:25mm, θz:360°, θx、θy:±10°

**Combination Products::**

- ATSM25-XYZ-1A 1PC
- RSM82-1A 1PC
- TSMG10-1W 1PC
- TSMG10-2W 1PC



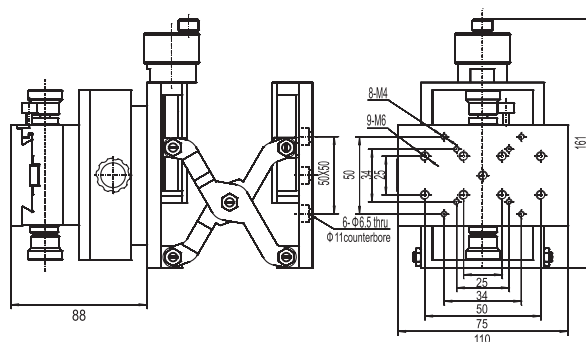
### ASM75XY-V60

**Specification:**

- Axis: XYZ
- Travel: Tx、Ty:75mm, Tz:60mm

**Combination Products::**

- TSM75D-1C 2PCS
- BP-28 1PC
- TSMV60-1S 1PC



Fiber Alignment Stages

Manual Linear Stages

Manual Vertical Stages

Manual Rotation Stages

Manual Goniometer/Tilt Stages

Combined Stages



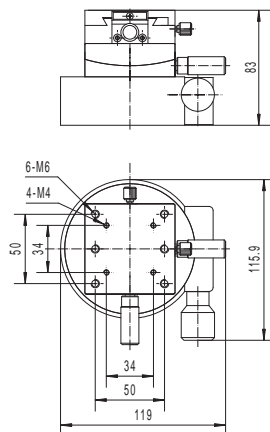
**ASM-RG2**

**Specification:**

- Axis:  $\theta_x$ 、 $\theta_y$ 、 $\theta_z$
- Travel:  $\theta_x$ 、 $\theta_y$ :  $\pm 10^\circ$  ,  $\theta_z$ :  $360^\circ$

**Combination Products::**

- TSM10-1W 1PC
- TSM10-2W 1PC
- RSM100-1W 1PC



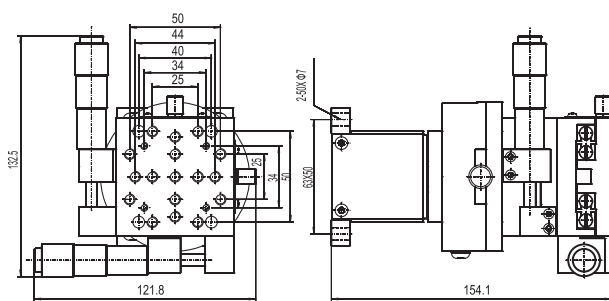
**ASM25XY-RV**

**Specification:**

- Axis: XYZ,  $\theta_z$
- Travel:  $T_x$ 、 $T_y$ : 25mm,  $T_z$ : 5mm,  $\theta_z$ :  $360^\circ$

**Combination Products::**

- TSM25-1A 2PCS
- RSM82-1A 1PC
- TSMV5-1A 1PC



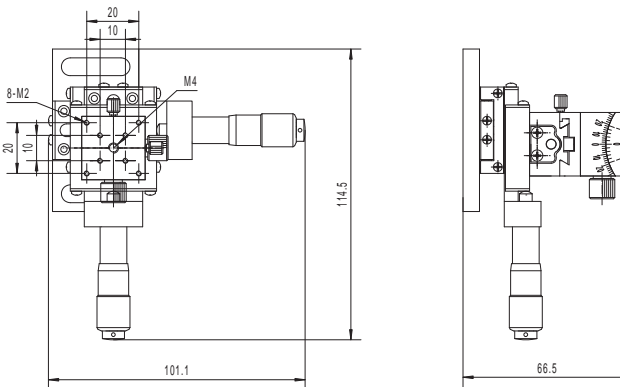
**ASM13XY-G2**

**Specification:**

- Axis: XY,  $\theta_x$ 、 $\theta_y$
- Travel:  $T_x$ 、 $T_y$ : 13mm,  $\theta_x$ 、 $\theta_y$ :  $30^\circ$

**Combination Products::**

- TSM13-1A 2PCS
- TSMG15-W 1PC
- TSMG30-W 1PC
- BP-10 1PC



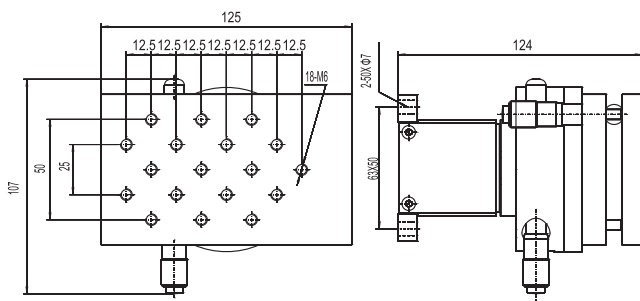
**ASMV5-TR**

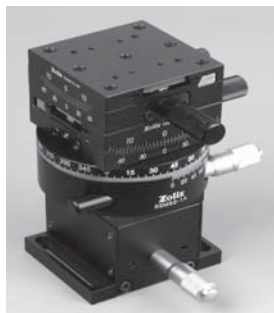
**Specification:**

- Axis: Z,  $\theta_x$ 、 $\theta_y$ 、 $\theta_z$
- Travel:  $T_z$ : 5mm,  $\theta_x$ 、 $\theta_y$ :  $\pm 5^\circ$

**Combination Products::**

- TSMT5-1A Double Axis 1PC
- RSM82-1A 1PC
- TSMV5-1A 1PC





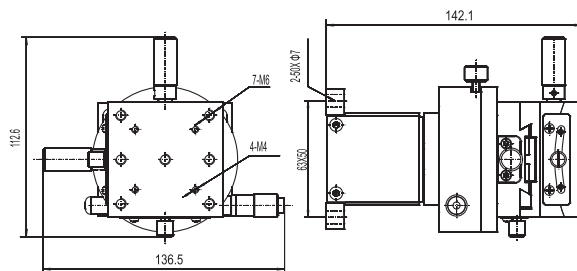
**ASM-VRG2**

**Specification:**

- Axis: Z,  $\theta_x$ ,  $\theta_y$ ,  $\theta_z$
- Travel:  $T_z$ :5mm,  $\theta_x$ ,  $\theta_y$ : $\pm 10^\circ$ ,  $\theta_z$ : $360^\circ$

**Combination Products::**

- TSMV5-1A 1PC
- TSMG10-1W 1PC
- TSMG10-2W 1PC
- RSM82-1A 1PC



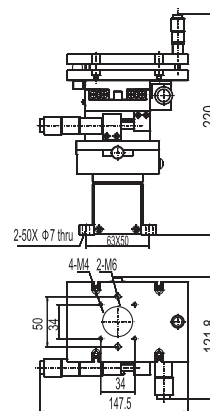
**ASM25XY-RTV5**

**Specification:**

- Axis: XYZ,  $\theta_x$ ,  $\theta_z$
- Travel:  $T_x$ ,  $T_y$ :25mm,  $T_z$ :5mm,  $\theta_x$ : $\pm 3^\circ$ ,  $\theta_z$ : $360^\circ$

**Combination Products::**

- TSM25-1A 2PCS
- TSMV5-1A 1PC
- TSMT3-1A 1PC
- RSM82-1A 1PC



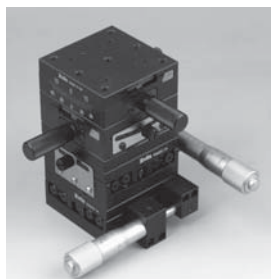
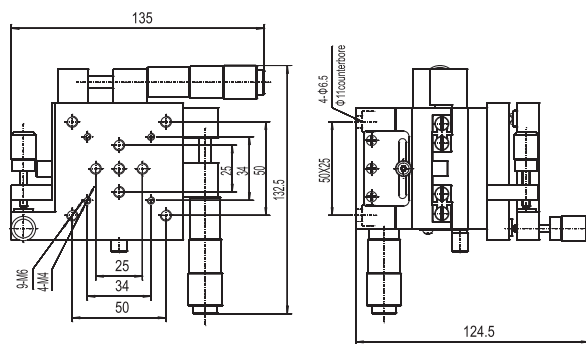
**ASM25XY-T4**

**Specification:**

- Axis: XY,  $\theta_x$ ,  $\theta_z$
- Travel:  $T_x$ ,  $T_y$ :25mm,  $\theta_x$ : $\pm 4^\circ$ ,  $\theta_z$ : $\pm 2.5^\circ$

**Combination Products::**

- TSM25-1A 2PCS
- TSMT-4 1PC
- BP-25 1PC



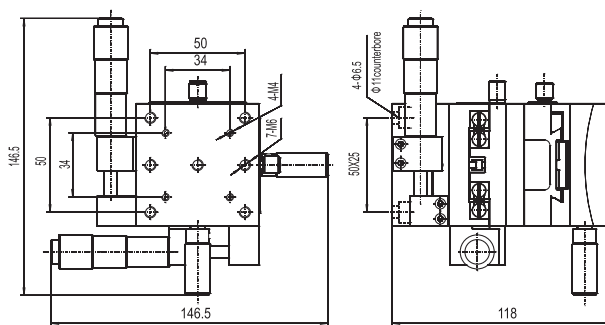
**ASM25XY-G2**

**Specification:**

- Axis: XY,  $\theta_x$ ,  $\theta_y$
- Travel:  $T_x$ ,  $T_y$ :25mm,  $\theta_x$ ,  $\theta_y$ : $\pm 10^\circ$

**Combination Products::**

- TSM25-1A 2PCS
- TSMG10-1W 1PC
- TSMG10-2W 1PC
- BP-26 1PC



You can obtain future information on our website at  
[http://www.zolix.com.cn/en/index\\_0.html](http://www.zolix.com.cn/en/index_0.html)



## Headquarter

### ZOLIX INSTRUMENTS CO.,LTD.

LDUV 68B, No. 16 Huanke Middle Rd, Tongzhou District, Beijing China(101102).

Tel: 86-10-56370168 Fax: 86-10-56370118 E-mail: [info@zolix.com.cn](mailto:info@zolix.com.cn)

Website: [http://www.zolix.com.cn/en/index\\_0.html](http://www.zolix.com.cn/en/index_0.html)



+31 316 340804  
[www.tlsbv.nl](http://www.tlsbv.nl) - [contact@tlsbv.nl](mailto:contact@tlsbv.nl)