



te lintelo systems bv

photonics. our passion!

35 YEARS

contact@tlsbv.nl

www.tlsbv.nl

+31 316 340804



JenLas[®] fiber cw 400

High Power cw Fiber Lasers



Advantages:

- OEM-design
- CW or modulated up to 100 kHz
- Highly reliable components
- Perfect beam quality ($M^2 < 1.1$)
- Special pulse shape profiles
- Precision selection of pulse energies

Customer benefits:

- Easy integration
- Multifunctional applications
- Low cost of ownership
- Excellent edge quality
- Perfect application results
- User friendly

Applications:

- Cutting
- Drilling
- Annealing
- Sintering
- Welding
- Engraving

JenLas® fiber cw 400

High Power cw Fiber Lasers

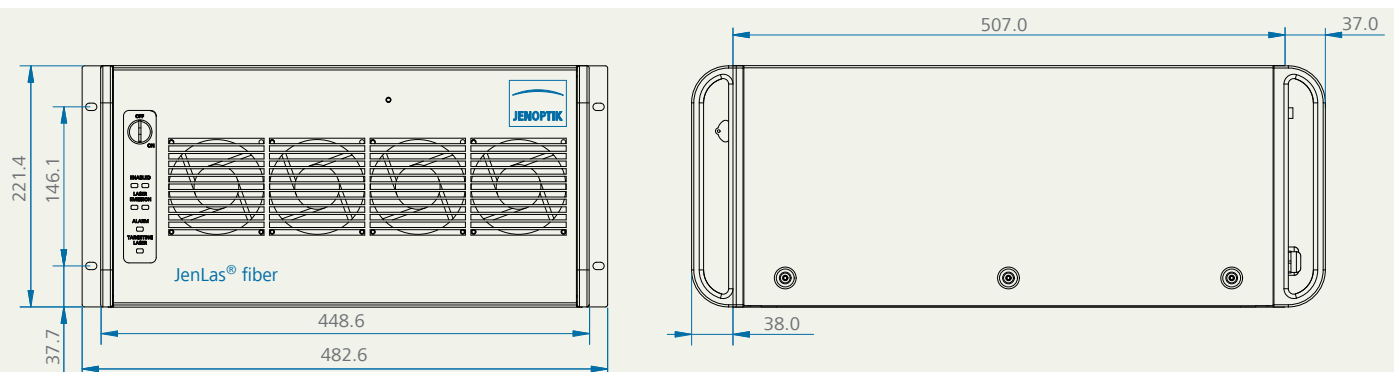
Specifications

Parameters*	JenLas® fiber cw 400
Output power	400 W
Centre wave length	1070 nm +/- 10 nm
Operation mode	CW or modulated
Output power stability	< 1 % (closed loop control)
Pulse characteristics	
Max. modulation	100 kHz
Pulse to pulse stability	< 0.5 % (closed loop control)
Min. pulse width	< 10 µs
Output beam parameter	
Beam diameter	5.0 mm +/- 0.7 mm
Beam parameter product	< 0.37 mm * mrad
Beam quality (M ²)	< 1.1
Polarization	random
Mechanical specifications	
Size	5 U rack unit (19") 507 x 483 x 221 mm
Weight	< 45 kg
Operation temperature	5 °C - 40 °C
Fiber cable length	6 m
Cooling option	water cooled
Electrical specifications	
Operation voltage (50-60Hz)	200 - 240 V AC
Control interface	analog / RS232

Options*:

- 10 m fiber cable length
- PSE (Pulse Shape Equalization)

* Some product and parameter combinations with optional accessories may not be available. Please contact us for further technical details.



This illustration is the air cooled version / outside dimensions water and air cooled are identical

It is our policy to constantly improve the design and specifications. Accordingly, the details represented herein cannot be regarded as final and binding.



te lintelo systems bv
 photonics. our passion!

35 YEARS

contact@tlsbv.nl www.tlsbv.nl +31 316 340804

