

## Key Features

- Passive Air-Bearing Rotary Table
- Particularly Low Error Motion
- High Speed Operation Possible
- High Load Capacity and Stiffness
- Various Sizes Available



## Passive Rotary Table EZ-RP201

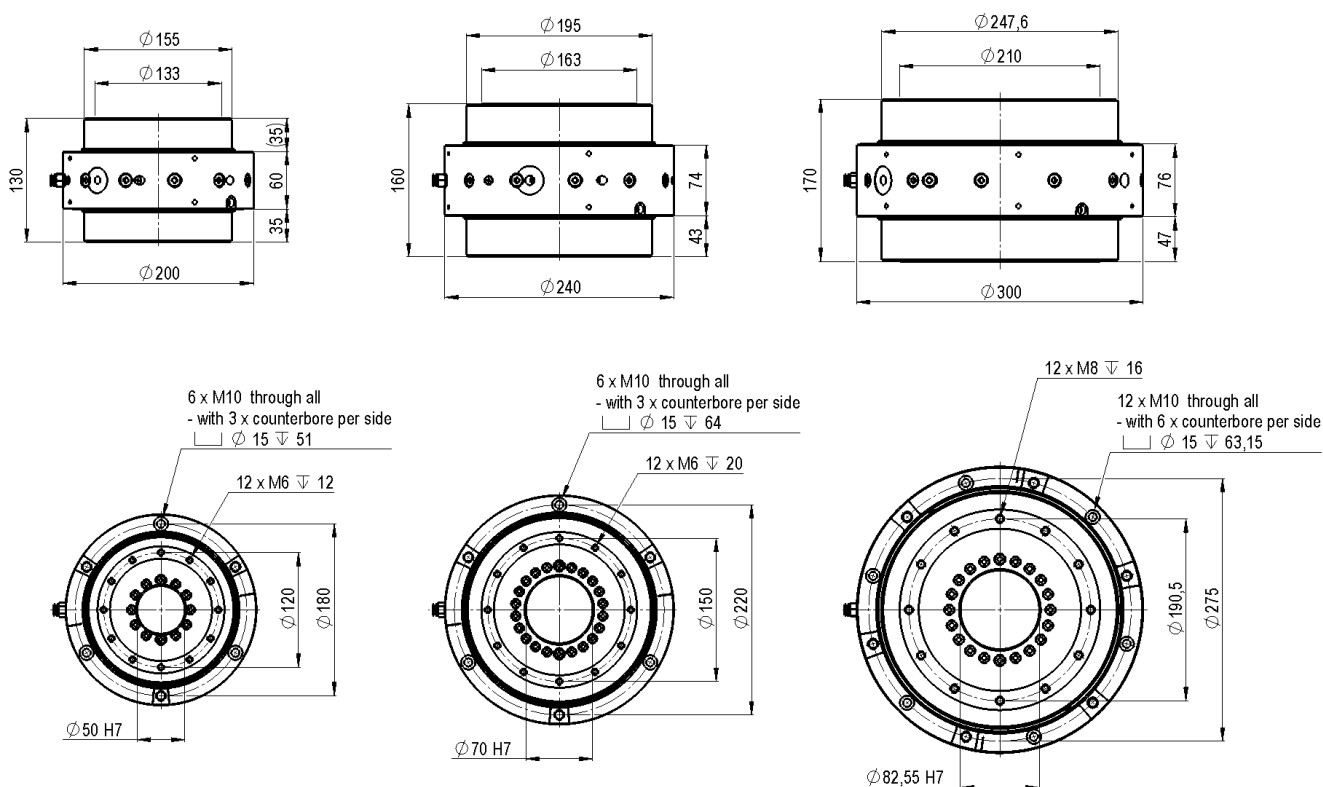
### Design and Construction

With an axial error movement of < 30 nm and a radial error movement of < 50 nm, the EZ-RP201 rotary table series meets the highest requirements for concentricity. Due to the special H-design and an optimized bearing layout, a particularly high axial load capacity and stiffness are achieved.

The stainless steel turntables can be driven via an externally flanged motor or via a belt pulley.

### Applications

As drive/bearing in the fields of precision turning, polishing, grinding, wafer grinding; for applications with high demands on concentricity.



Type	Unit	EZ-RP201-150	EZ-RP201-200	EZ-RP201-250
Turning Range	°		> 360 (unlimited)	
Error Motion axial (in the center)	µm		< 0,03	
Error Motion radial (at 20 mm height)	µm		< 0,05	
Axial Runout (along radius 85 mm)	µm		< 2	
Max. Speed	rpm	5000	4000	2000
Mechanical Data	Unit	EZ-RP201-150	EZ-RP201-200	EZ-RP201-250
Mounting Position		unrestricted	unrestricted	unrestricted
Diameter x Height	mm	200 x 130	240 x 160	300 x 170
Diameter Rotor	mm	155	195	247,6
Moving Mass (rotor)	kg			
Total Mass	kg	21	38	66
Max. Load axial	N	2900	4000	7000
Nominale Load axial push/pull	N	2300	2800	5500
Max. Load radial	N	690	1200	1500
Nominale Load radial	N	500	850	1200
Stiffness axial	N/µm	500	580	1000
Stiffness radial	N/µm	100	110	150
Resistance Against Tilt	Nm/µrad			
Max. Moment of Tilt	Nm	> 50	> 100	> 200
Inertialmoment	kg*m <sup>2</sup>	0,03	0,1	0,25
Interfaces and Environment	Unit	EZ-RP201-150	EZ-RP201-200	EZ-RP201-250
Supply Pressure	bar		5	
Air Consumption	Sl/min	70	40	70
Clean Room Suitability			applicable	

Subject to technical modifications and typographical errors.

Two mounting options are possible:

- fastening with M10 cylinder head screws by using the provided M10 threads,
- fastening with M8 cylinder head screws by using the counter sink bores.

